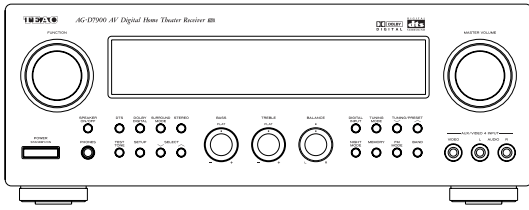


TEAC



SERVICE MANUAL

AG-D7900

AV Digital Home Theater Receiver

NOTES

- PC boards shown are viewed from parts side.
- The parts with no reference number or no parts number in the exploded views are not supplied.
- As regards the resistors and capacitors, refer to the circuit diagrams contained in this manual.
- ⚠ Parts marked with this sign are safety critical components. They must be replaced with identical components - refer to the appropriate parts list and ensure exact replacement.

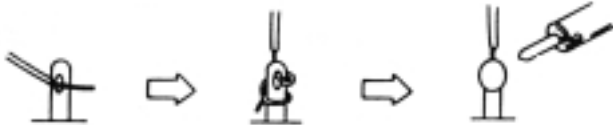
CONTENTS

SPECIFICATIONS.....	3
SAFETY INSTRUCTIONS	4
MEASUREMENTS AND ADJUSTMENTS	5
FIP DISPLAY	8
DISPLAY PIN CONNECTION	9
IC BLOCK DIAGRAMS AND PIN FUNCTIONS	10
EXPLODED VIEWS AND PARTS LIST	22
PC BOARDS AND PARTS LIST	24
INCLUDED ACCESSORIES	30

SAFETY INSTRUCTIONS

PRECAUTIONS DURING SERVICING

1. Parts identified by the \triangle (*) symbol parts are critical for safety. Replace only with parts number specified.
2. In addition to safety, other parts and assemblies are specified for conformance with such regulations as those applying to spurious radiation. These must also be replaced only with specified replacements.
Examples :RF converters, tuner units, antenna selectswitches, RF cables, noise blocking capacitors, noise blocking filters, etc.
3. Use specified internal wiring. Note especially :
 - 1) Wires covered with PVC tubing
 - 2) Double insulated wires
 - 3) High voltage leads
4. Use specified insulating materials for hazardous live parts. Note especially:
 - 1) Insulation Tape
 - 2) PVC tubing
 - 3) Spacers(insulating barriers)
 - 4) Insulation sheets for transistors
 - 5) Plastic screws for fixing micro switches
5. When replacing AC primary side components (transformers, power cords, noise blocking capacitors, etc.), wrap ends of wires securely about the terminals before soldering.



6. Make sure that wires do not contact heat producing parts (heat sinks, oxide metal film resistors, fusible resistors, etc.).
7. Check that replaced wires do not contact sharp edged or pointed parts.
8. Also check areas surrounding repaired locations.
9. Make sure that foreign objects (screws, solder droplets, etc.) do not remain inside the set.

MAKE YOUR CONTRIBUTION TO PROTECT THE ENVIRONMENT

Used batteries with the ISO symbol for recycling as well as small accumulators (rechargeable batteries), mini-batteries (cells) and starter batteries should not be thrown into the garbage can.



Please leave them at an appropriate depot. All other household batteries can be thrown out with the household waste.

SAFETY CHECK AFTER SERVICING

After servicing, make measurements of leakage-current or resistance in order to determine that exposed parts are acceptably insulated from the supply circuit.

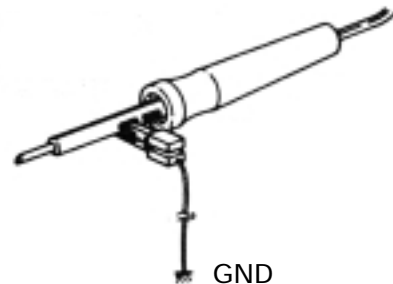
The leakage-current measurement should be done between accessible metal parts (such as chassis, ground terminal, microphone jacks, signal input/output connectors, etc.) and the earth ground through a resistor of 1500 ohms paralleled with a 0.15 μF capacitor, under the unit's normal working conditions.

The leakage-current should be less than 0.5mA rms AC. The resistance measurement should be done between accessible exposed metal parts and power cord plug prongs with the power switch (if included) "ON". The resistance should be more than 2.2M Ohms.

PRECAUTIONS IN REPAIRING

When repairing or adjusting the unit, please note the following points.

1. Do not put excessive pressure on the mechanical part (operation part), including the pick-up block, as extremely high mechanical precision is required in these parts.
2. When the base is removed for repair adjustment, make sure that there are no metal objects in the narrow gap between the P. C. board or the mechanical parts and the base.
3. The Micro-Computer and the CD signal processing ICs can be damaged by static electricity or leakage from a soldering iron during repairing. While soldering, please take the precautions against leakage as in the illustration.



4. Do not loosen any screws in the pick-up block. When handling the pick-up block, please refer to the points to NOTE when replacing the pick-up block.
5. Keep safety for hazardous invisible Laser Radiation, DO NOT watch the Laser Beam (Objective lens) directly.
6. Models for some countries, laser warning labels are affixed on the unit and inside of the unit, as shown below. Read it carefully for your safety, when repairing or adjusting the unit.

MEASUREMENTS AND ADJUSTMENTS

■ ALIGNMENT INSTRUCTIONS

EQUIPMENT NEEDED:

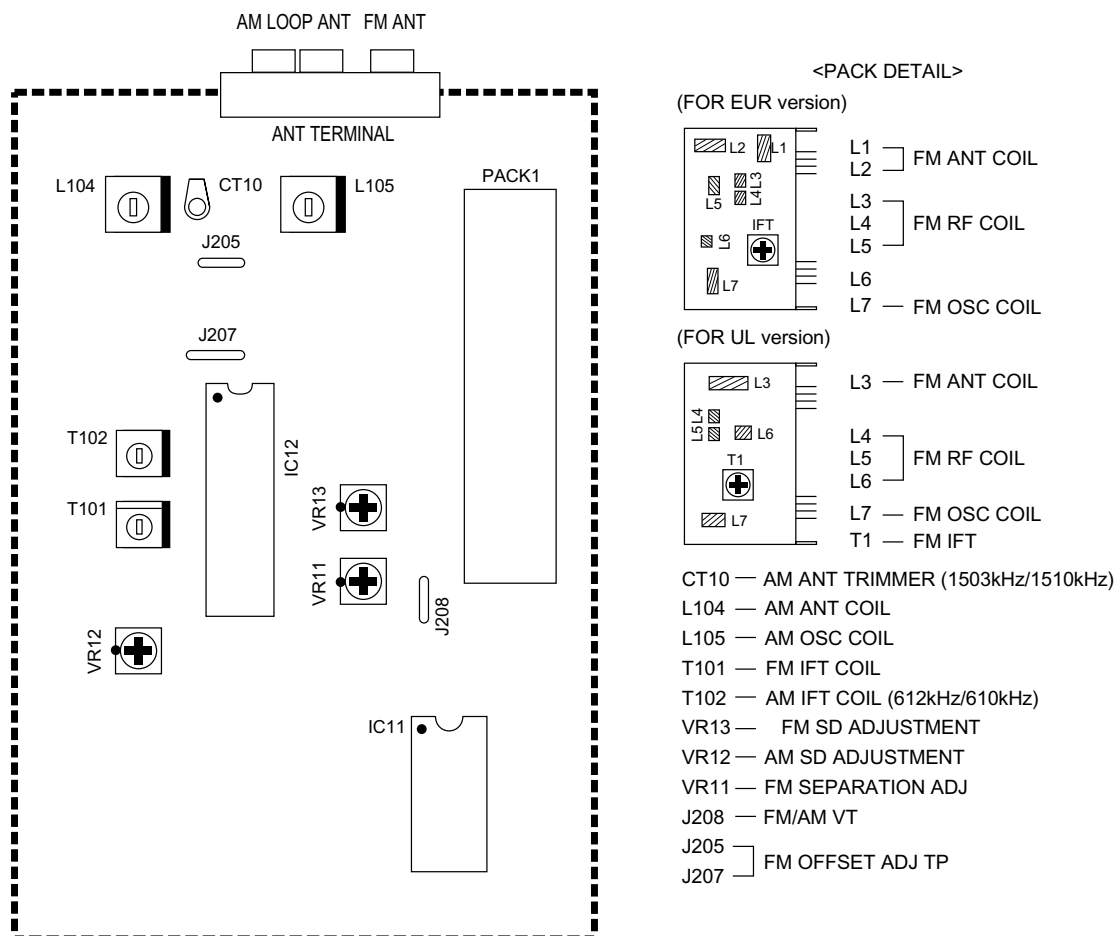
- AM Signal Generator
- FM Signal Generator
- Oscilloscope
- VTVM(AC, DC)
- Test loop antenna (AM Adjustment)
- Dummy antenna (FM Adjustment)
- Distortion analyser

IMPORTANT

1. Check power-source voltage.
2. Set the function switch to band aligned.
3. Keep the signal input as low as possible to adjust accurately.
4. Modulation and modulation frequency.

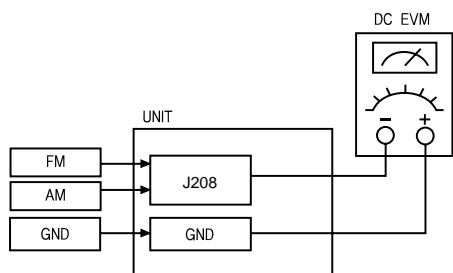
Band \ Item	Modulation	Modulation frequency
AM	30%	400Hz
FM	100% (40 kHz Dev.) [E/UK] 100% (75 kHz Dev.) [US]	400Hz

■ ADJUSTMENT POINT



1. TUNING FREQUENCY RANGE ADJUSTMENTS

(FM) DC VOLTMETER CONNECT TO TEST POINT J208 and GND

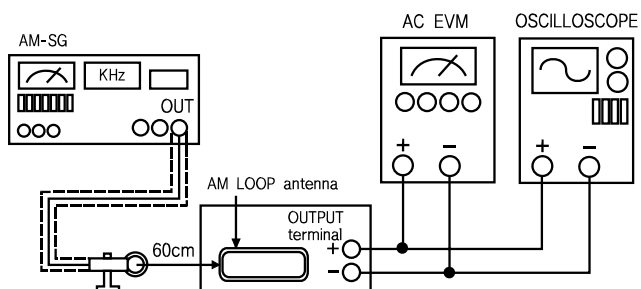


NO.	Band	Frequency	Adjust for	Adjustment
1	FM	87.50MHz	1.6V	L7
2	AM [US/C]	530 kHz [530 kHz]	1V [1V]	L105 [L105]

2. AM TRACKING ADJUSTMENT

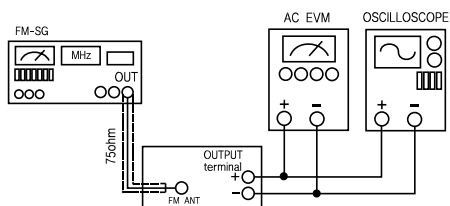
Signal Generator Connects to the AM ANT. Coil through the loop antenna.
Adjust for the indication of VTVM of the wave form of scope to be maximum.

BAND	Step	Frequency	Adjust for	Adjustment
AM	1 [US/C]	610 kHz [610 kHz]	Maximum sensitivity Maximum sensitivity	T102, L104 T102, L104
	2 [US/C]	1510 kHz [1510 kHz]	Maximum sensitivity Maximum sensitivity	CT10 CT10
	3	Repeat steps 1 and 2 several times.		



3. FM-RF ADJUSTMENT

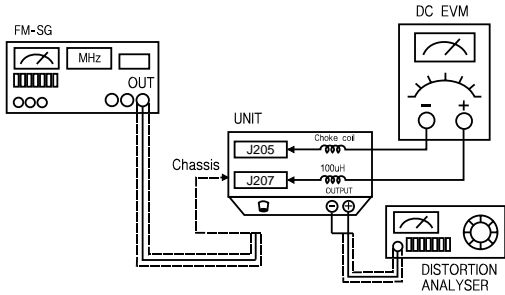
Signal Generator Connect to FM ANT JACK (FM IN) through the dummy.



NO.	Frequency	Adjust for	Adjustment
1	90.10MHz	Maximum Sensitivity	L3, L5, L6
2	Repeat step 1 several times.		

4. FM MONO DISTORTION ADJUSTMENT

DC VOLT METERConnect to J205 (-), J207 (+) through the choke coil (100uH).
 Signal GeneratorConnect to FM ANT Jack (FM IN) through the dummy.
 Distortion MeterConnect to the output.



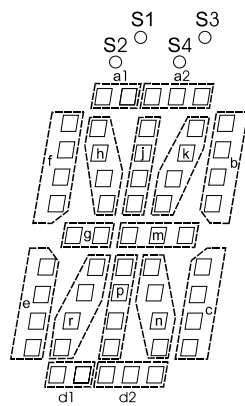
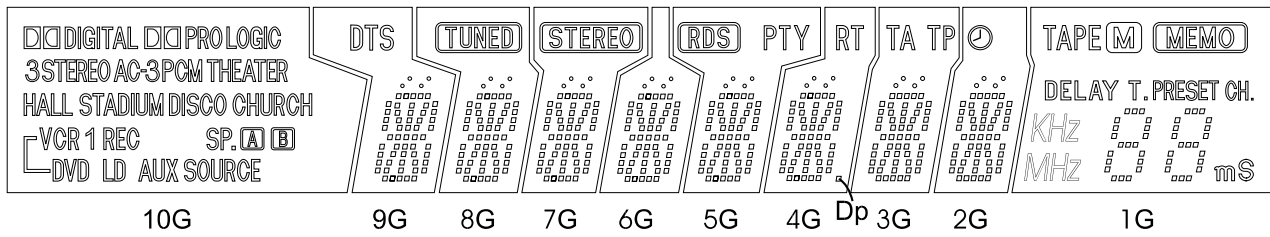
NO.	Frequency	Adjust for	Adjustment
1	100.10MHz	DC Voltmeter 0V	T101
2	100.10MHz	DC Voltmeter 0V Minimum T.H.D	T101
3	Repeat steps 1 and 2 several times.		

5. FM/AM AUTO STOP LEVEL ADJUSTMENT

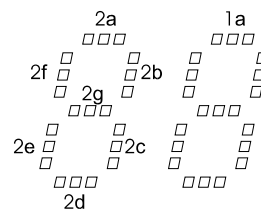
FM Signal GeneratorConnect to FM ANT Jack (FM IN) through the dummy.
 AM Signal GeneratorConnect to AM ANT. Coil through the Loop antenna.

BAND	Step	Signal Generator	Adjust for	Adjustment
AM	1	990KHz 82dB	<input type="checkbox"/> TUNED Display ON	VR12
	[US/C]	[990KHz]	<input type="checkbox"/> TUNED Display OFF	VR12
FM	1	100.1MHz 32dB	<input type="checkbox"/> TUNED Display ON	VR13
	2	100.1MHz 31dB	<input type="checkbox"/> TUNED Display OFF	VR13

FIP DISPLAY



(2G~9G)

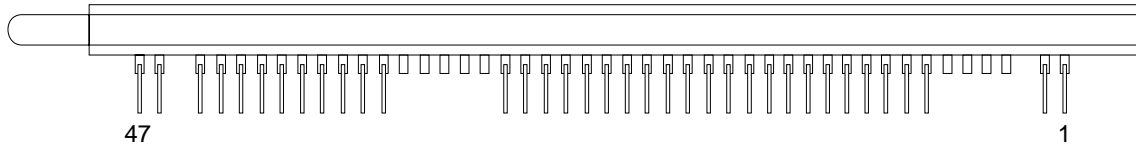


(1G)

ANODE CONNECTION

	10G	9G	8G	7G	6G	5G	4G	3G	2G	1G
P1	SOURCE	d2	d2	d2	d2	d2	d2	d2	d2	kHz
P2	AUX	d1	d1	d1	d1	d1	d1	d1	d1	1d
P3	LD	e	e	e	e	e	e	e	e	1e
P4	DVD	r	r	r	r	r	r	r	r	1c
P5	VCR 1	p	p	p	p	p	p	p	p	1g
P6	REC	n	n	n	n	n	n	n	n	1f
P7	[]	c	c	c	c	c	c	c	c	1b
P8	SP.	f	f	f	f	f	f	f	f	1a
P9	[A]	g	g	g	g	g	g	g	g	[M]
P10	[B]	m	m	m	m	m	m	m	m	2d
P11	CHURCH	h	h	h	h	h	h	h	h	2e
P12	DISCO	j	j	j	j	j	j	j	j	2c
P13	STADIUM	k	k	k	k	k	k	k	k	2g
P14	HALL	b	b	b	b	b	b	b	b	2f
P15	THEATER	a2	a2	a2	a2	a2	a2	a2	a2	2b
P16	PCM	a1	a1	a1	a1	a1	a1	a1	a1	2a
P17	AC-3	S1	S1	S1	S1	S1	S1	S1	S1	DELAY.T
P18	STEREO	S2	S2	S2	S2	S2	S2	S2	S2	PRESET.CH.
P19	3	S3	S3	S3	S3	S3	S3	S3	S3	[MEMO]
P20	[]	S4	S4	S4	S4	S4	S4	S4	S4	TAPE
P21	DIGITAL	/	/	/	/	[RDS]	Dp	TA	[]	MHz
P22	[] PRO LOGIC	DTS	[TUNED]	[STEREO]	/	PTY	RT	TP	/	mS

PIN CONNECTION



Pin No.	1	2	3	4	5	6	7	8	9	10	11	12	13	14	15
Connection	F2	F2	NP	NX	NX	NX	NX	P22	P21	P20	P19	P18	P17	P16	P15

Pin No.	16	17	18	19	20	21	22	23	24	25	26	27	28	29	30
Connection	P14	P13	P12	P11	P10	P9	P8	P7	P6	P5	P4	P3	P2	P1	NX

Pin No.	31	32	33	34	35	36	37	38	39	40	41	42	43	44	45
Connection	NX	NX	NX	NX	1G	2G	3G	4G	5G	6G	7G	8G	9G	10G	NP

Pin No.	46	47
Connection	F1	F1

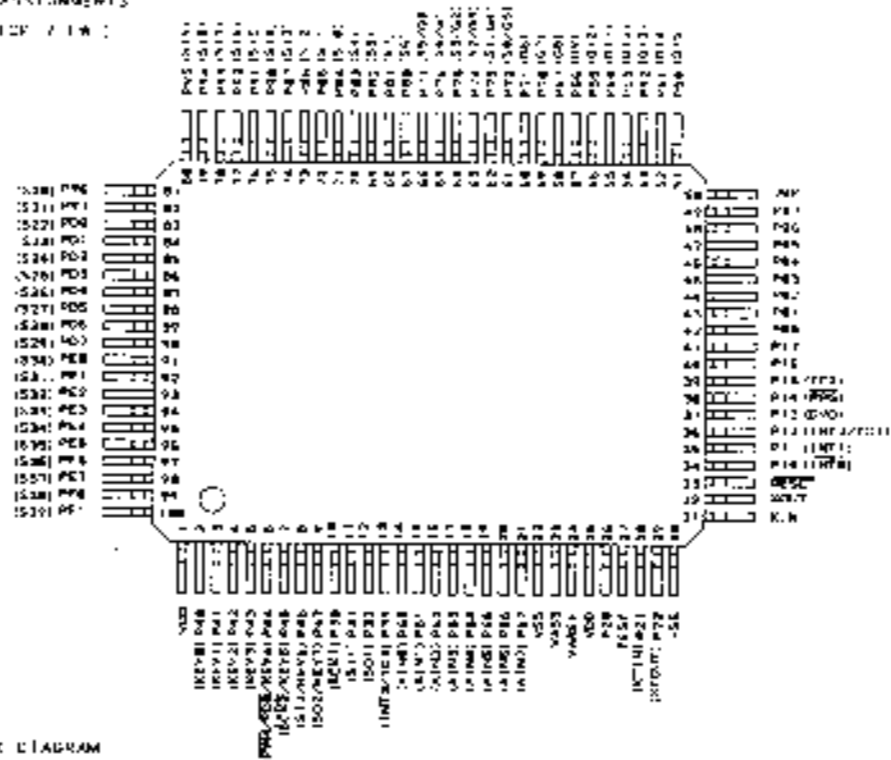
IC PIN FUNCTION (u-COM : ANAM1308AT,O.T.P :TMP87PM78F) : IC71

PIN No.	SYMBOL	I/O	DESCRIPTION
1,25	VDD	-	Power Supply Port(+5V)
2,3	Function SW1,SW2	I	Function Encoder Control Port
4	Speaker ON/OFF	O	Front Speaker Relay Drive Port("H")
5	NC	-	Not Use(No connection)
6	DSP Reset	O	Reset (Initial Clear) Port for YSS912
7	Surr. CLK	O	Surr. CLK Output Port
8	DATA OUT	O	Data Output Port for YSS912
9	Surr. DATA	O	Surr. DATA Output Port
10	CS	O	Chip Selector Port for YSS912
11	CS	O	Chip Selector Port for AK4112
12	CSBN	O	Sub DSP Chip Selector for YSS912
13,14	RDS CLK/DATA	I	RDS IC(SA6579TV1) CLK/DATA Port
15	Stereo IN	I	Stereo Display Control Port("L")
16	Tuned IN	I	Tuned Display Control Port("L")
17 - 21	KEY Matrix	I	Resistor Divide Key Control Input (17,18 Pin: NOT USE)
22,30	Vss	-	Device GND Port
23	Vass	-	Device Analog GND Port
24	Varef	-	A/D Converter Reference Voltage
26	BACKUP	I	Back Up Mode Control Input
27	TEST	-	NC(GND)
28,29	VOLUME UP/DOWN	I	Master Volume Up/Down Control Port
31	X IN	I	8MHz Crystal Connection Port
32	X OUT	O	
33	RESET (L)	I	Reset Input
34	REMOTE IN	I	Remote Control Sensor Data Input
35	BUS IN(NC)	I	System Remote Control Input(No Connection))
36	HEADPHONE IN	O	Headphone JACK INPUT("H") - Connet to GND
37	E.VOL.DATA	O	Electronic Vol. IC(M62446FP) DATA/CLK/STB Port
38	E.VOL.CLK	I	
39	E.VOL.CE	O	
40	PLL.DATA IN	I	PLL IC (LC72131) DATA Input Port
41	PLL.CE	O	PLL IC (LC72131) Chip Enable Control Port
42	DATA 3	O	Function IC Data Input Port
43	CLK 3	O	Func./PLL IC CLK Control Port
44	FUNC. STB	O	Function Strobe Control Output
45	FUNC. MUTE	O	Function Mute Control Output("H")
46	SURR. MUTE	O	Surrounc Mute Control Output("H")
47	Power ON/OFF	O	Power ON/OFF Control Port("H")
48	SURR. H	O	Surr. ON/OFF Contol Port("H")
49	PROTECT IN	I	Protect Input Port("L")
50	FIP Vkk	-	FIP (FLT) -28V Negative Power Supply For FIP Blinking
51 - 60	FIP Grid	O	FIP (FLT) Grid Control Outputs
61 - 82	FIP Segment	O	FIP (FLT) Segment Control Outputs
83 - 86	Option	I	Area/Function Option Ports
87 - 94	N.C	-	Not Use(No connection)
95	SUB. LED	O	Subwoofer LED Drive Port
96	MUTE LED	O	MUTE LED Drive Port
97 - 99	VIDED A/B/C	O	Video IC(NJM2296M/LA7952) Control Ports
100	N.C	-	Not Use(No connection)

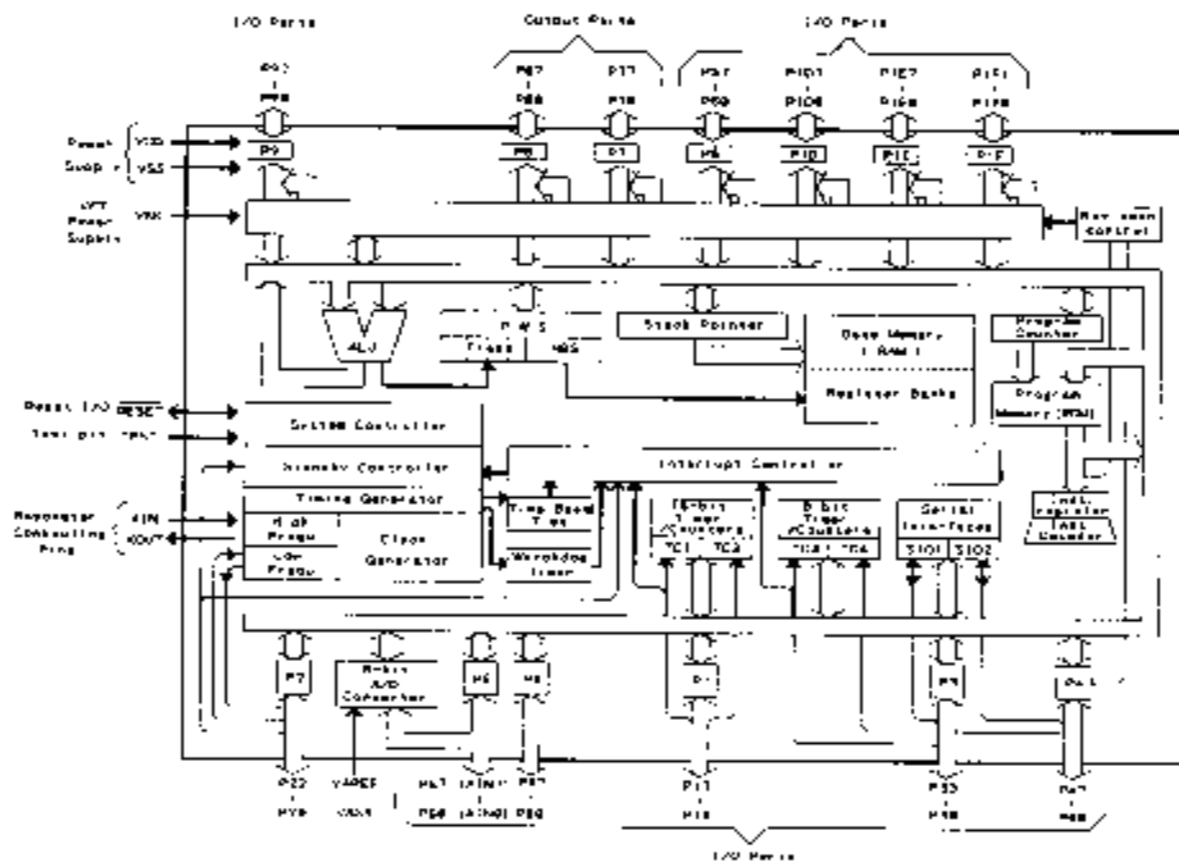
Micom IC Pin Assignment & Block Diagram

■ PIN ASSIGNMENTS

TOP VIEW :



■ BLOCK DIAGRAM



Dolby Digital/Pro Logic DTS DECODER (YSS912C:INPUT IC43)

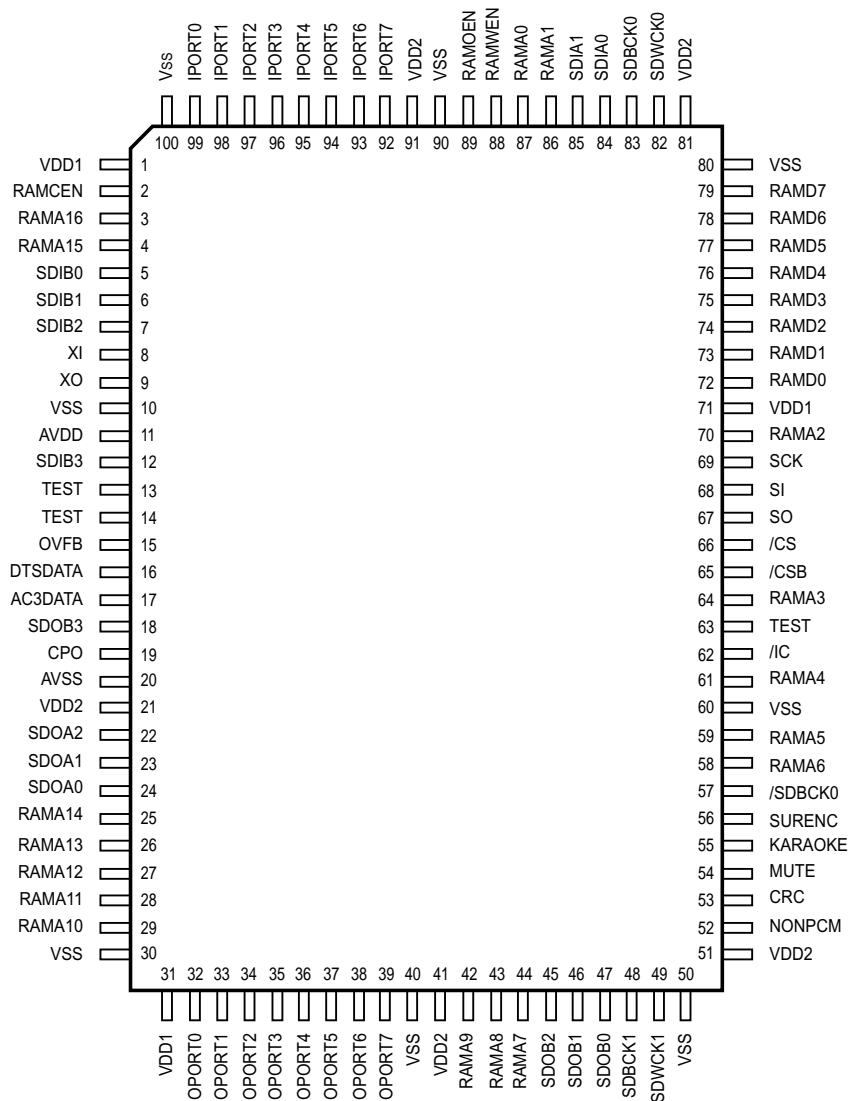
PIN No.	SYMBOL	I/O	DESCRIPTION
1,31,71	VDD1	-	+5V Power Supply(for I/Os)
2	RAMCEN	O	External SRAM interface /CE
3	RAMA16	O	External SRAM interface address 16
4	RAMA15	O	External SRAM interface address 15
5	SDIB0	I+	PCM input 0 to Sub DSP(not use)
6	SDIB1	I+	PCM input 1 to Sub DSP(not use)
7	SDIB2	I+	PCM input 2 to Sub DSP(not use)
8	XI	I+	Crystal oscillator connection(12.288MHz)
9	XO	O	
10, 30	VSS	-	Ground
11	AVDD	-	+3.3V power supply (for PLL circuit)
12	SDIB3	I+	PCM input 3 to Sub DSP(not use)
13	TEST	-	Test terminal(to be open in normal use)
14	TEST	-	Test terminal(to be open in normal use)
15	OVFB	O	Detection of overflow at Sub DSP (not use)
16	DTSDATA	O	Detection of DTS data (not use)
17	AC3DATA	O	Detection of AC-3 data (not use)
18	SDOB3	O	PCM output from Sub DSP
19	CPO	A	Output terminal for PLL,to be connected to ground through the external analog filter circuit
20	AVSS	-	Ground for PLL circuit)
21,41,51,81,91	VDD2	-	+3.3V power supply (for core logic)
22	SDOA2	O	PCM output from Main DSP (C,LFE)
23	SDOA1	O	PCM output from Main DSP (LS,RS)
24	SDOA0	O	PCM output from Main DSP (L,R)
25 ~ 29	RAMA 14~10	O	External SRAM interface address 14~10
32 ~ 35	OPORT 0~3	O	Output port for general purpose
36 ~ 39	OPORT 4~7	O	Output port for general purpose (not use)
40,50,60,80,90,100	VSS	-	Ground
42 ~ 44	RAAM 9~7	O	External SRAM interface address 9~7
45 ~ 47	SDOB 2~0	O	PCM output from Sub DSP
48	SDBCK1	I+	Bit clock input for SDOA,SDIB,SDOB (not use)
49	SDWCK1	I+	Word clock input for SDOA,SDIB,SDOB (not use)
52	NONPCM	O	Detection of non-PCM data (not use)
53	CRC	O	Detection of AC-3 CRC error (not use)
54	MUTE	O	Detection of auto mute (not use)
55	KARAOKE	O	Detection of AC-3 karaoke data (not use)
56	SURENC	O	Detection of AC-3 2/0 mode Dolby surround encoded input (not use)
57	/SDBCK 0	O	Inverted SDBCK0 clock output (refer to Block diagram)
58	RAMA6	O	External SRAM interface address 6
59	RAMA5	O	External SRAM interface address 5
61	RAMA4	O	External SRAM interface address 4
62	/IC	Is	Initial clear
63	TEST	-	Test terminal (to be open in normal use)
64	RAMA3	O	External SRAM interface address 3
65	/CSB	Is+	Sub DSP Chip select
66	/CS	Is	Microprocessor interface Chip select input
67	SO	Ot	Microprocessor interface serial data output
68	SI	Is	Microprocessor interface /Sub DSP Serial data input
69	SCK	Is	Microprocessor interface /Sub DSP clock input

PIN No.	SYMBOL	I/O	DESCRIPTION
70	RAMA2	O	External SRAM interface address 2
72 - 79	RAMD0-7	I+/O	External SRAM interface data (STREAM0-7 output when External SRAM is not in use)
82	SDWCK0	I	Word clock input for SDIA, SDOA, SDIB, SDOB
83	SDBCK0	I	Bit clock input for SDIA, SDOA, SDIB, SDOB
84	SDIA0	I	AC-3 Bitstream (or PCM) data input for Main DSP
85	SDIA1	I	AC-3 Bitstream (or PCM) data input for Main DSP
86	RAMA1	O	External SRAM interface address 1
87	RAMA0	O	External SRAM interface address 0
88	RAMWEN	O	External SRAM interface /WE
89	RAMOEN	O	External SRAM interface /OE
92 - 99	IPOPT7-0	I+	Input port for general purpose (not use)

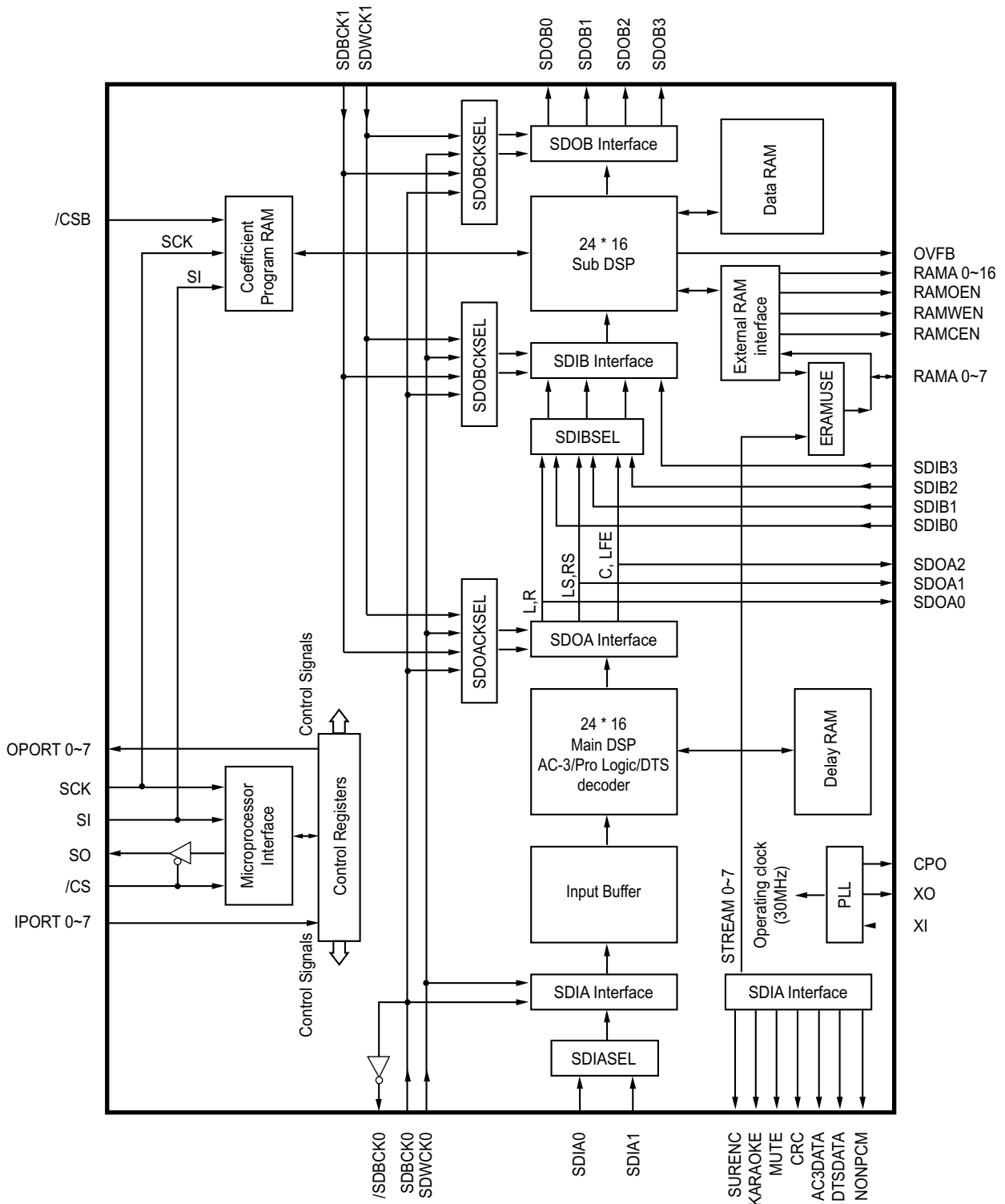
NOTE) Is: Schmidt trigger input terminal
O: Digital output terminal
A: Analog terminal

It: Input terminal with pull-up resistor
Ot: Tri-state digital output terminal

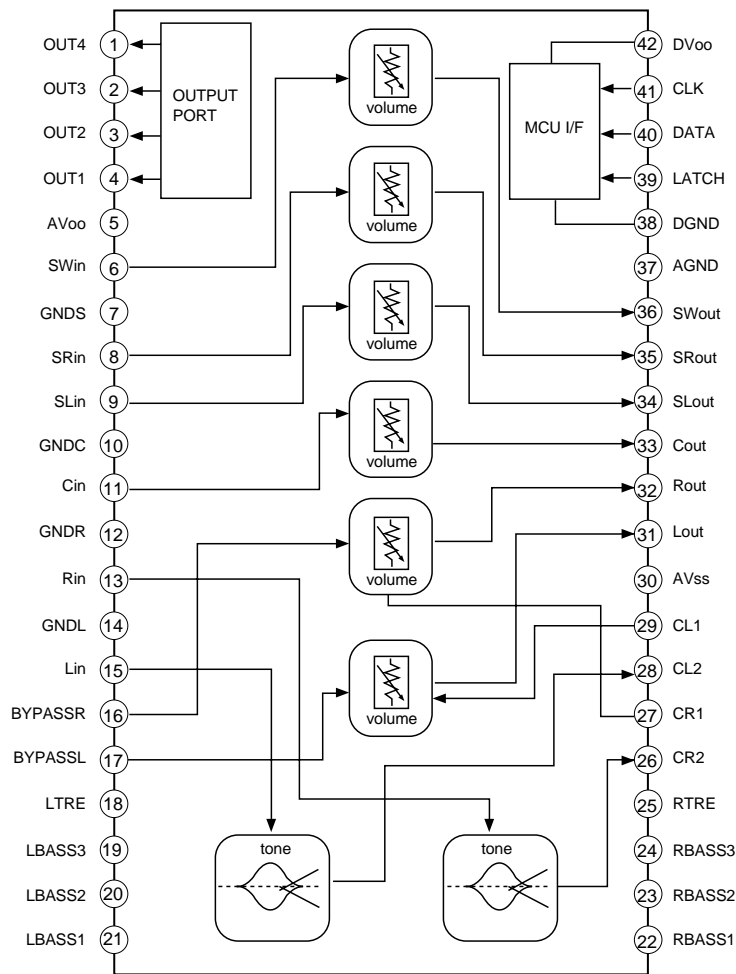
YSS912C PIN CONFIGURATION



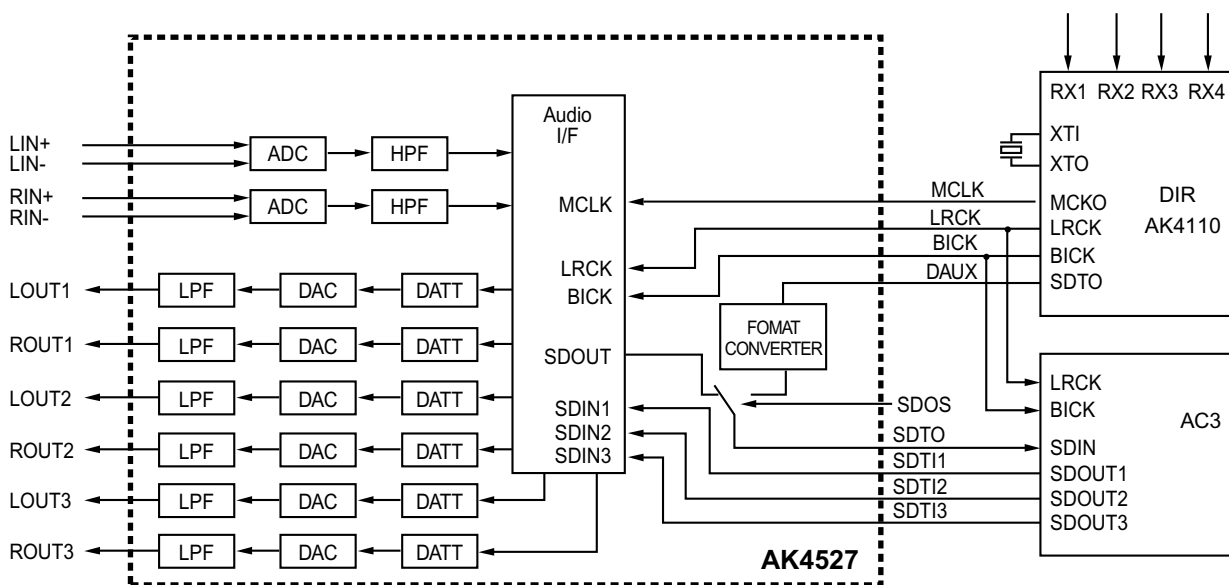
YSS912C BLOCK DIAGRAM



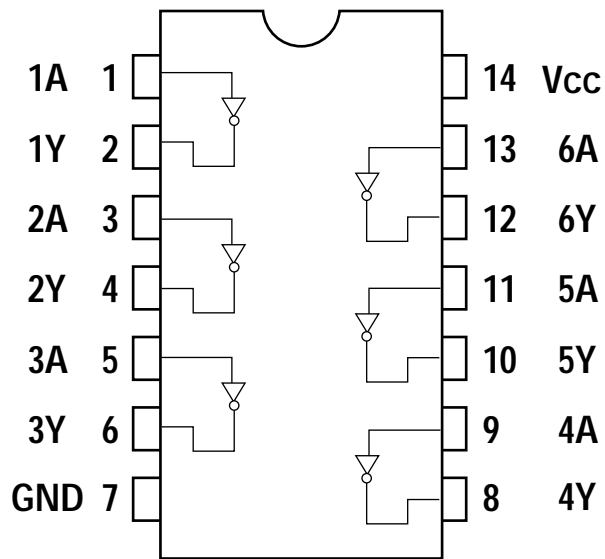
M62446FP (ELECTRONIC VOLUME/INPUT IC31)



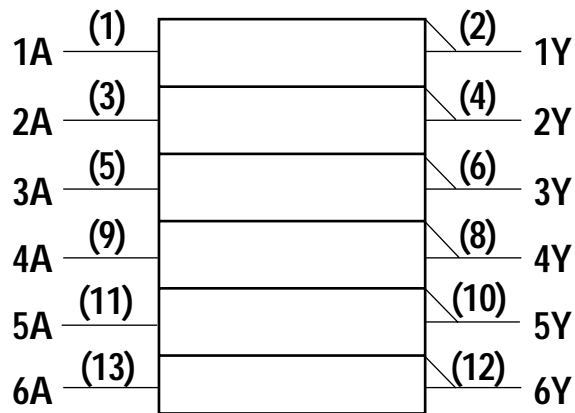
AV4527VQ (ADC/DAC/INPUT IC42)



■ PIN ASSIGNMENT (74HCU04AFN : IC40)



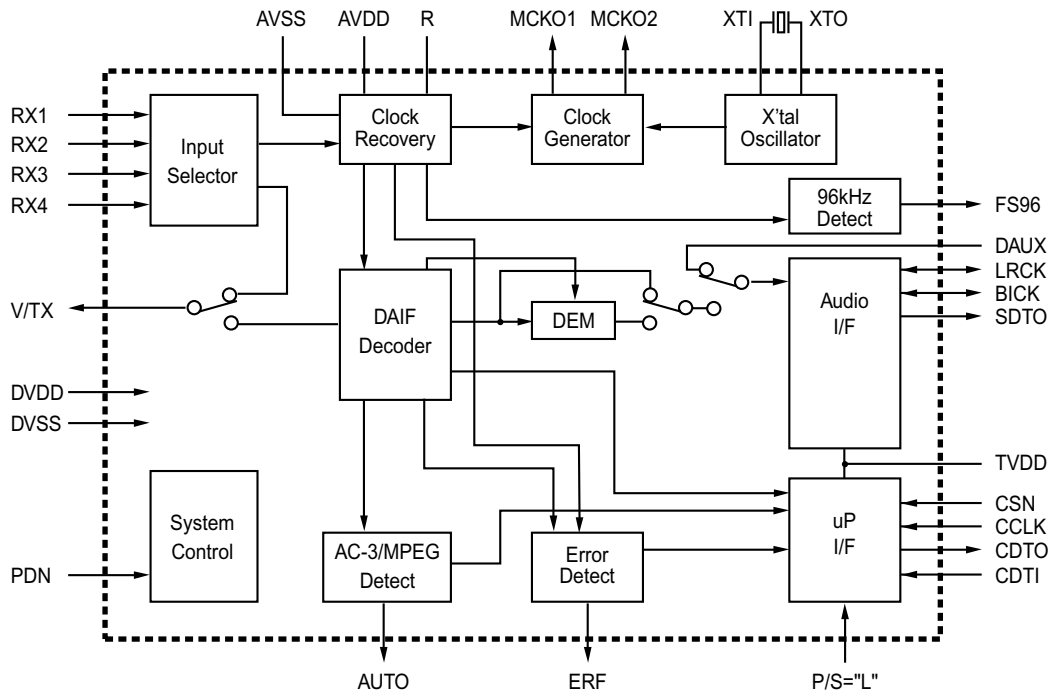
■ LOGIC SYMBOL



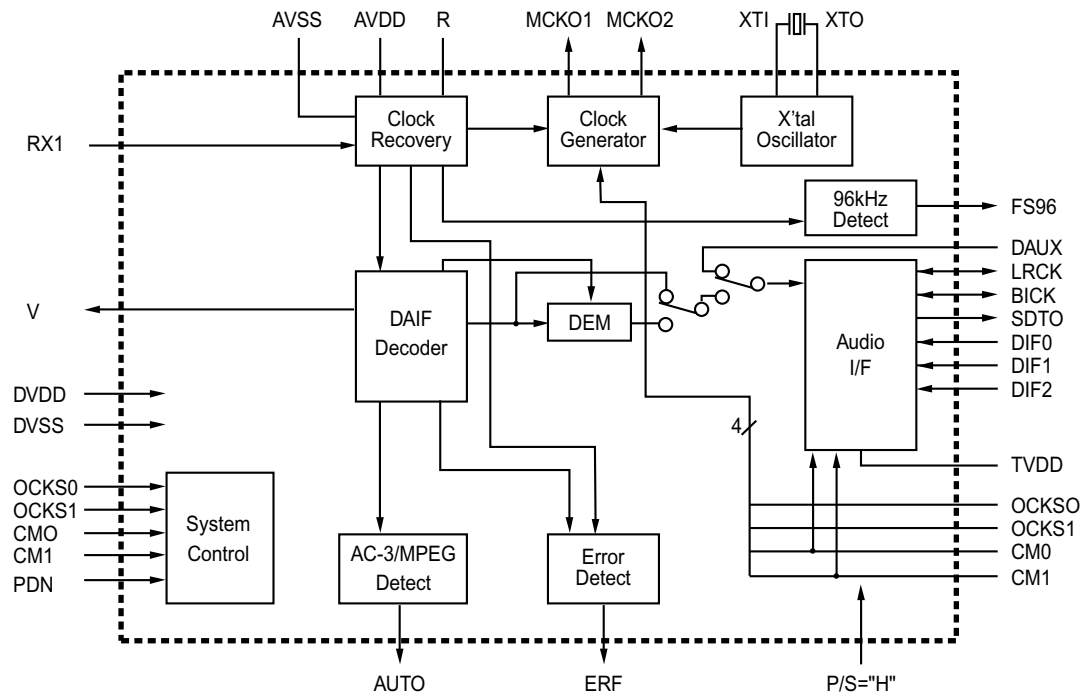
■ TRUTH TABLE

A	Y
L	H
H	L

AK4112AVF (DIR/INPUT IC41)

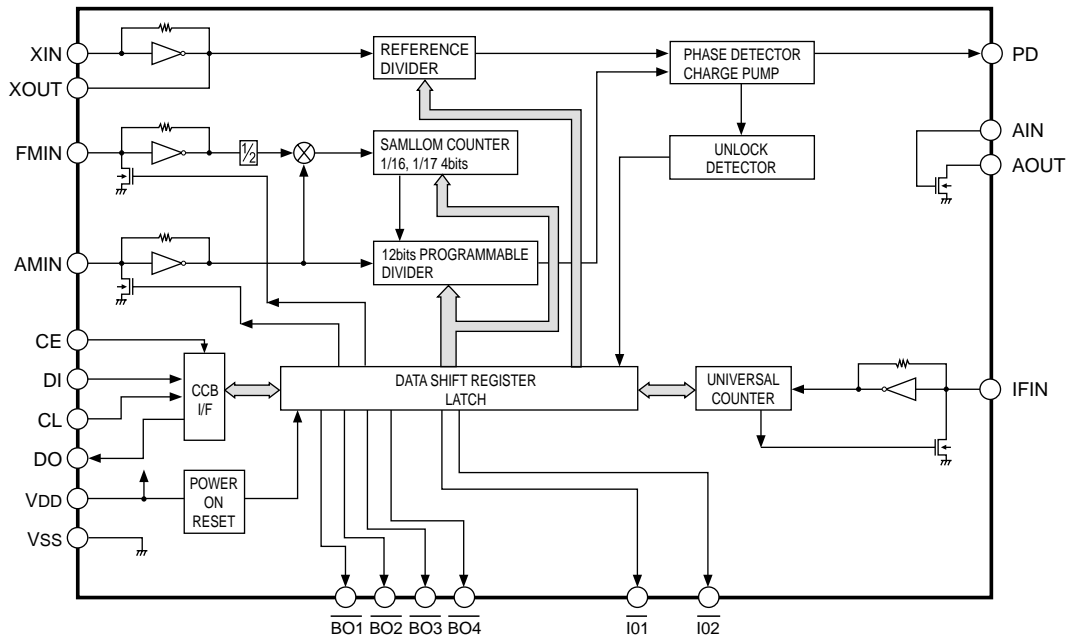


[Serial Control Mode]

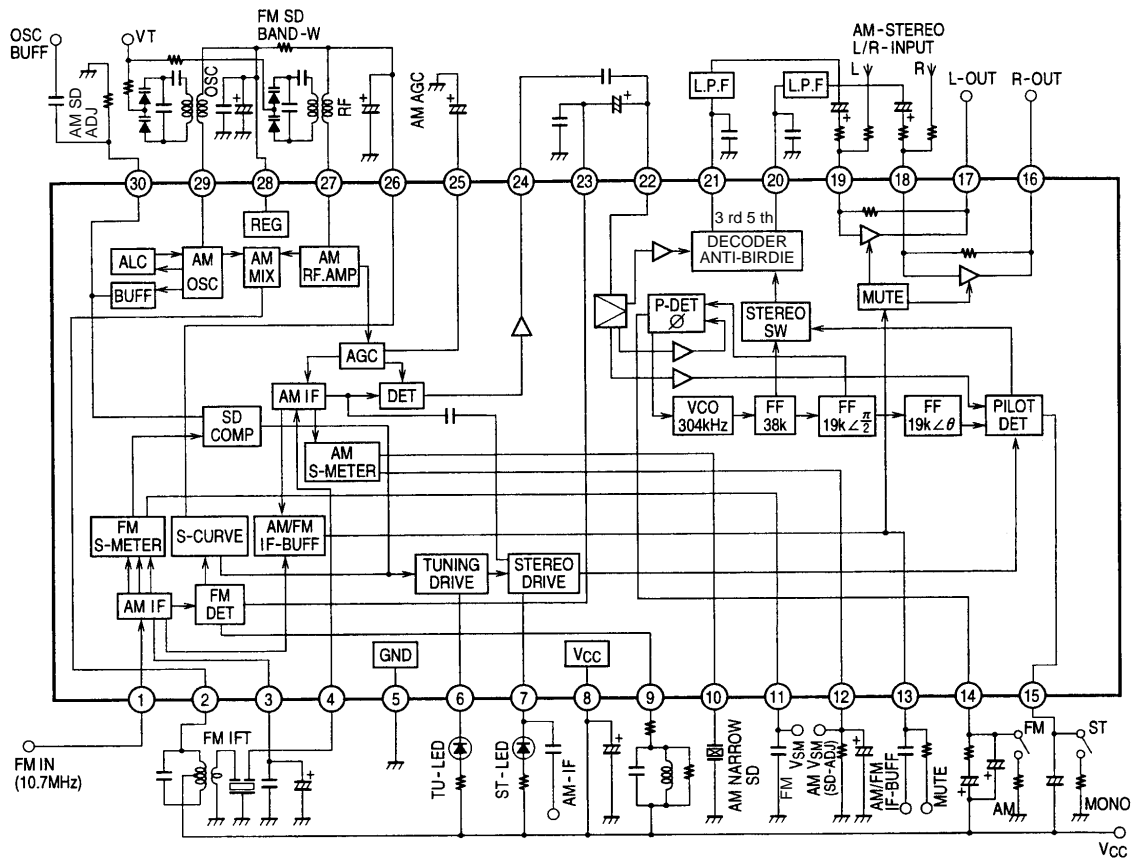


[Parallel Control Mode]

LC72131 (PLL SYNTHESIZER/ TUNER IC11)

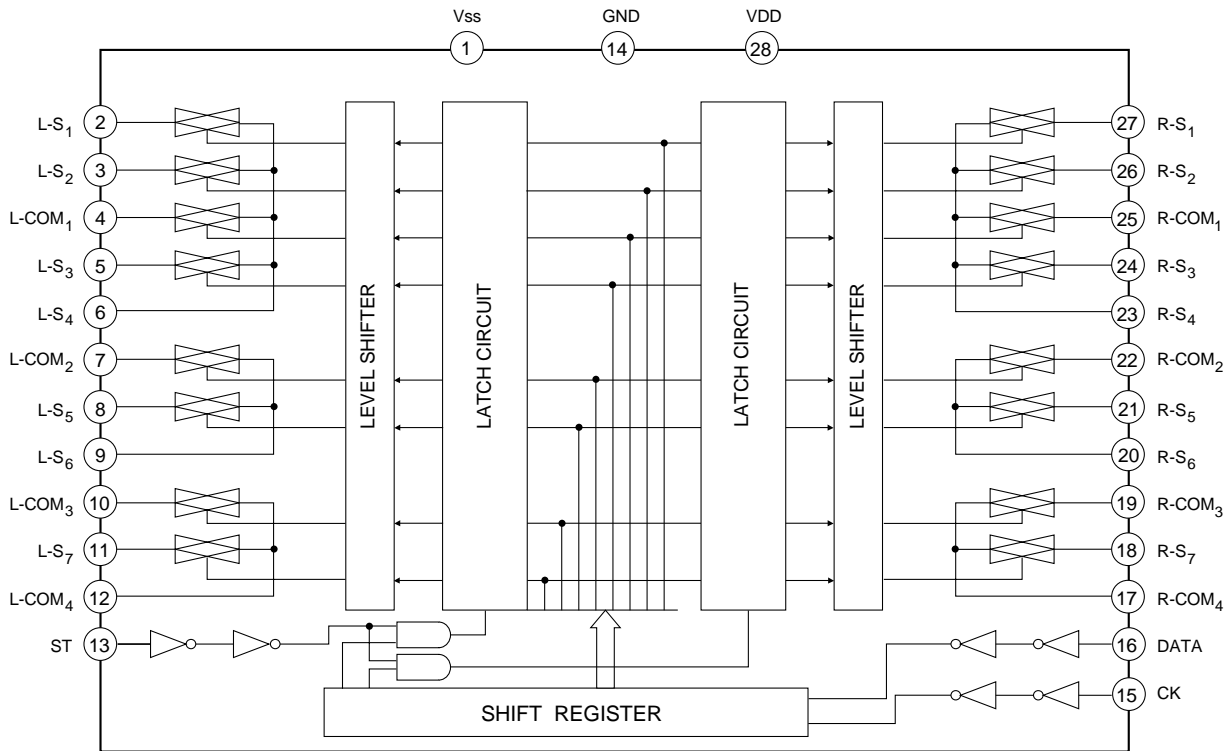


LA1837 (MPX + IF / TUNER IC12)



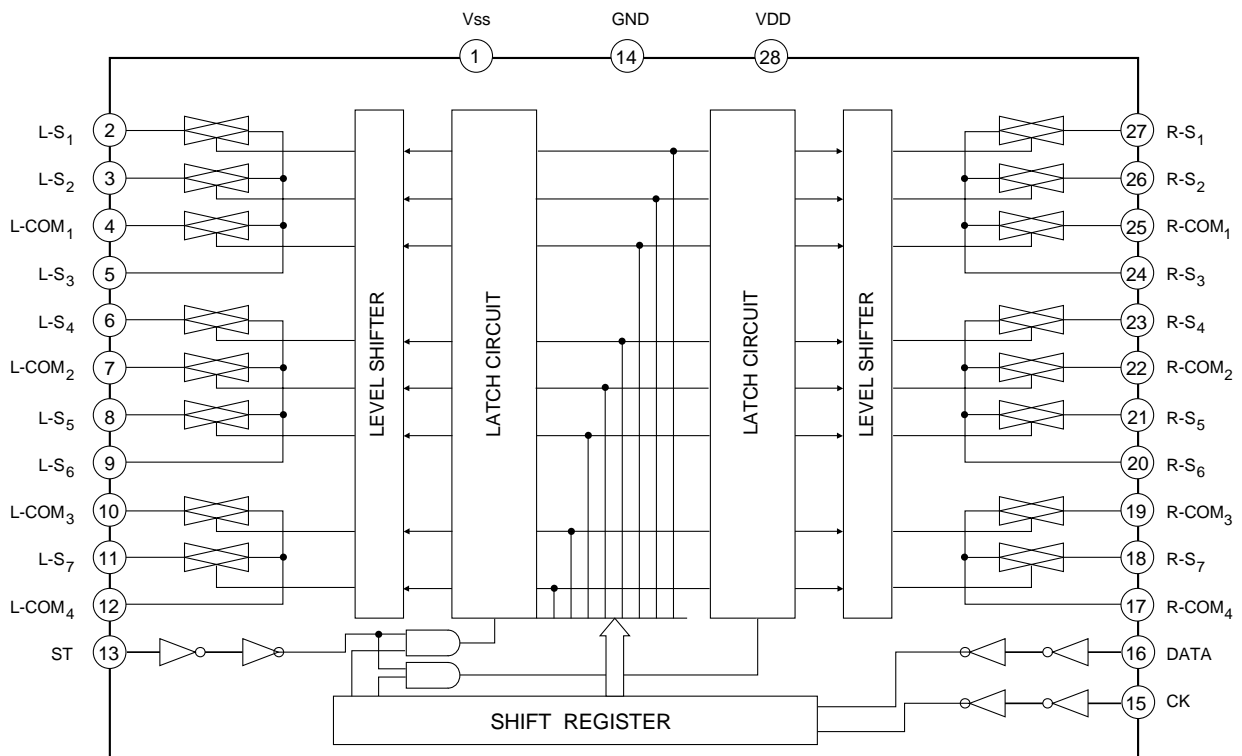
KIC9164AF (FUNCTION/INPUT IC20)

■ BLOCK DIAGRAM

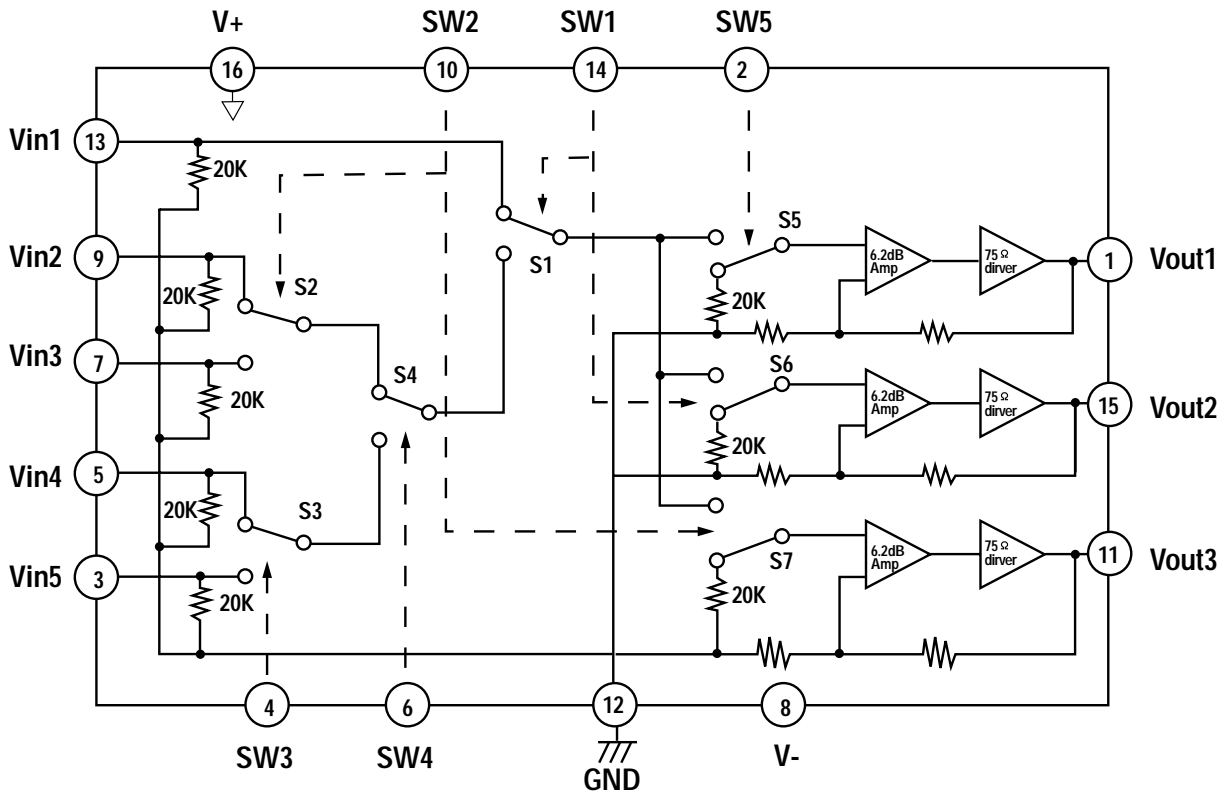


KIC9163AF (FUNCTION/INPUT IC21)

■ BLOCK DIAGRAM



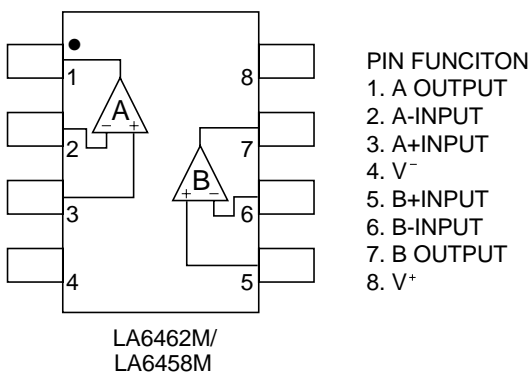
■ BLOCK DIAGAM (NJM2296M /MAIN IC96)



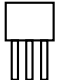
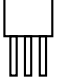



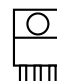


*** Normally mute**
Above circuits show that the switches are set at low.

LA6462M/6458M

■ PIN CONFIGURATION

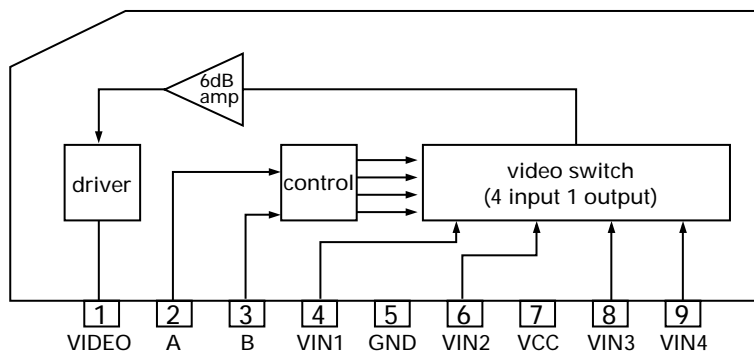


TRANSISTOR, REGULATOR IC BLOCK DIAGRAM

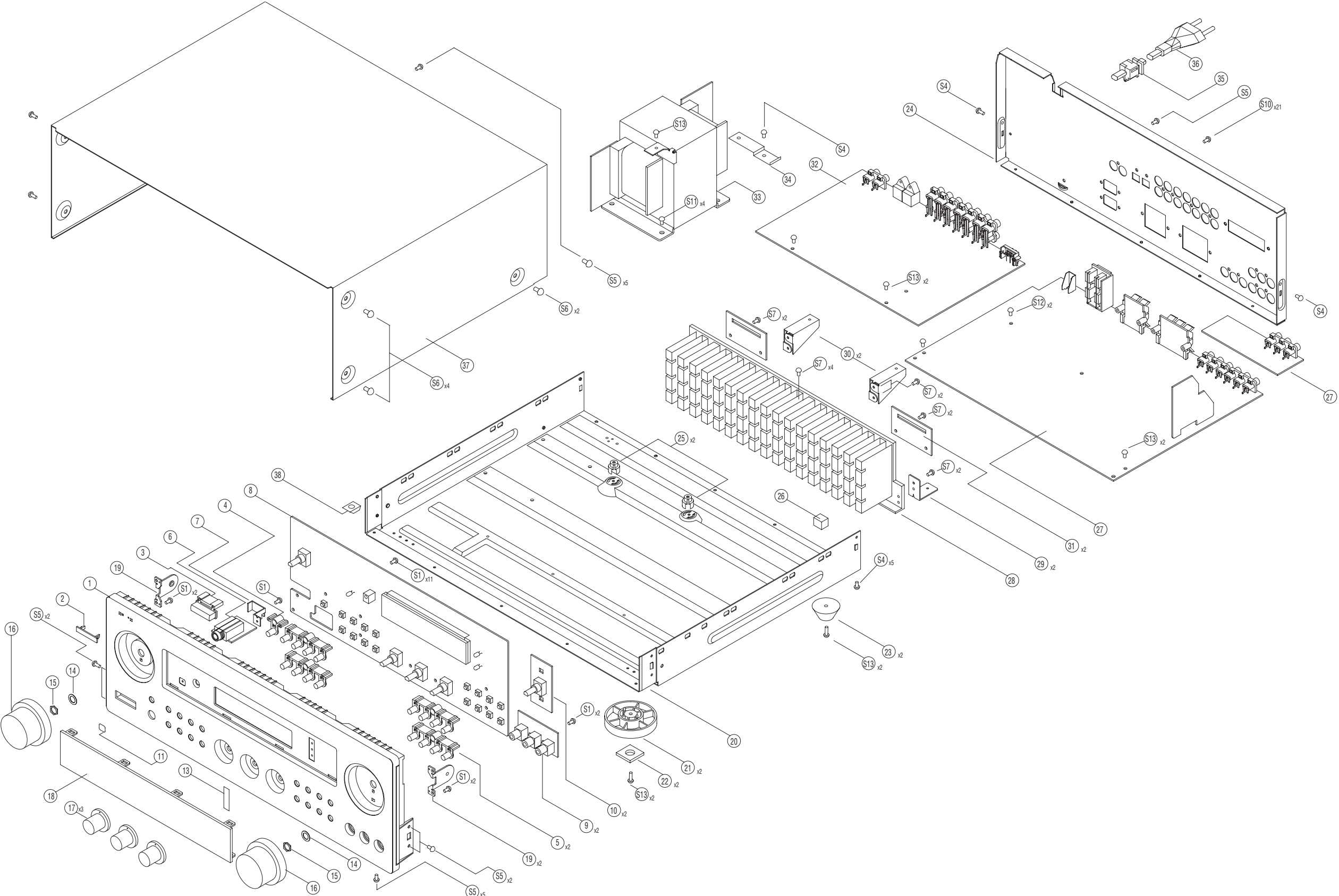
<p>TO-92S</p>  <p>1. Emitter 2. Collector 3. Base</p> <p>123</p> <p>KSA1175Y KRC114M KTA1271Y KSD811Y DTC144ES DTA144ES DTA114YS DTC114YS DTC143TS DTA144TS</p>	<p>TO-92</p>  <p>1. Emitter 2. Collector 3. Base</p> <p>123</p> <p>KTD1302T KTA1268GR KTC3200GR KSC2785Y KTC31940</p>	<p>TO-220</p>  <p>1. INPUT 2. OUTPUT 3. GND</p> <p>123</p> <p>MC7912C</p>	<p>TO-92L</p>  <p>1. Emitter 2. Collector 3. Base</p> <p>123</p> <p>KSA916Y KSC2316Y</p>
<p>TO-126</p>  <p>1. Emitter 2. Collector 3. Base</p> <p>123</p> <p>2SC4137V 2SC34230 2SA1360O</p>	<p>TO-220</p>  <p>1. Base 2. Collector 3. Emitter</p> <p>123</p> <p>KSA614Y KSD288Y 2SB1186AE 2SD1763AE</p>	<p>TO-220</p>  <p>1. INPUT 2. GND 3. OUTPUT</p> <p>123</p> <p>MC7812C MC7805C</p>	<p>TO-3P</p>  <p>1. Base 2. Collector 3. Emitter</p> <p>1 2 3</p> <p>2SC4468 2SA1695</p>

LA7952(I.C, Video sw/ Input: IC51, IC52)

■ BLOCK DIAGAM/ PIN CONFIGURATION



EXPLODED VIEW



EXPLODED VIEW

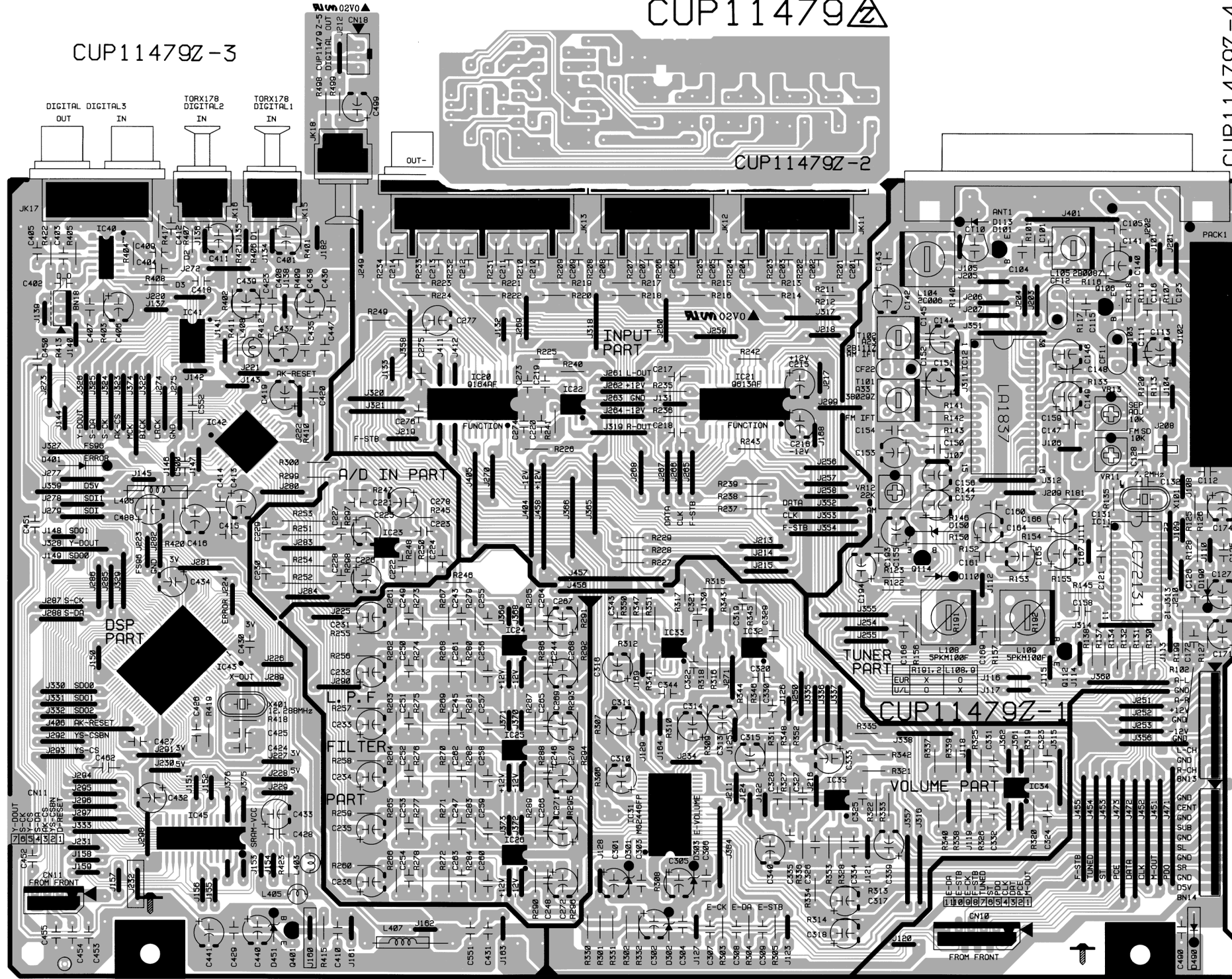
REF. NO.	PARTS NO.	DESCRIPTION	REMARKS
1	9A09337600	PANEL, FRONT	CGW1A279XH10
2	9A07047400	BADGE	KGB1A056H12
3	9A06777500	KNOB, POWER	KBT2A450
4	9A08955800	KNOB, SPEAKER	CBT1A715
5	9A08955900	KNOB, MODE	CBT1A716
6	-----	PHONES PCB ASSY	
7	9A08886900	BRACKET, PCB	CMK1A010
8	9A09333910	FRONT PCB ASSY	COP11480B
9	-----	JACK PCB ASSY	
10	-----	VOLUME PCB ASSY	
11	9A08887200	SHEET, LED	KGX1A293Z
12	-----	S-VIDEO PCB ASSY	
13	9A08045300	SHEET, LED (3P)	KGX1A243X
16	9A08955600	KNOB, VOLUME	CBN1A122
17	9A08955700	KNOB, TONE	CBN1A123Z
18	9A08885500	WINDOW, FIP	CGU1A235A5Z
19	9A08886800	BRACKET, TOP	CMD1A355
20	9A08888100	CHASSIS, BOTTOM	CUA1A185
21	9A08887600	FOOT, FRONT	CKL2A042H11
22	9A06754800	RUBBER, CUSHION	KHG1A050
23	9A06755300	FOOT, RUBBER (BLACK)	KKL1A012
24	9A09337700	PANEL, REAR	CKF9A203Z
25	9A01375500	PCB HOLDER	KHE170
26	9A06327100	SUPPORT, CUSHION	KHG1A104
27	9A09334210	MAIN PCB ASSY	COP11478C
28	9A08952200	HEAT SINK	CMY1A161
29	9A08952300	BRACKET, PCB	KMD1A417
30	9A08745400	BRACKET, PCB (H/T)	KMD1A416
31	-----	WIRE HOLDER PCB	
32	9A09334610	INPUT+TUNER PCB ASSY	COP11479B
33	△ 9A09337900	TRANSFORMER, POWER	CLT5U016ZW
34	9A08887800	BRACKET, TR	CMD1A350
35	△ 9A07872600	POWER CORD	CJA523FBY
36	△ 9A06754900	BUSHING, AC CORD	KHR1A028
37	9A08810200	CABINET, TOP	CKC1B109S1
38	9A08885700	RUBBER	CHG1A113
	9A08038100	RING, FERRITE	KLZ9W001Z
CN10	9A09339300	CABLE, CARD	CWC1C4A11B170B
CN11	9A09339200	CABLE, CARD	CWC1C4A07B170B
F901	△ 9A06756100	FUSE, 2. 5A 250V	KBA2C2500TLU
F903, F904	△ 9A07371000	FUSE, 6. 3A 250V	KBA2C6300TLU
F905	△ 9A09306400	FUSE, 5A 250V	KBA2C5000TLU
F906	△ 9A06756100	FUSE, 2. 5A 250V	KBA2C2500TLU

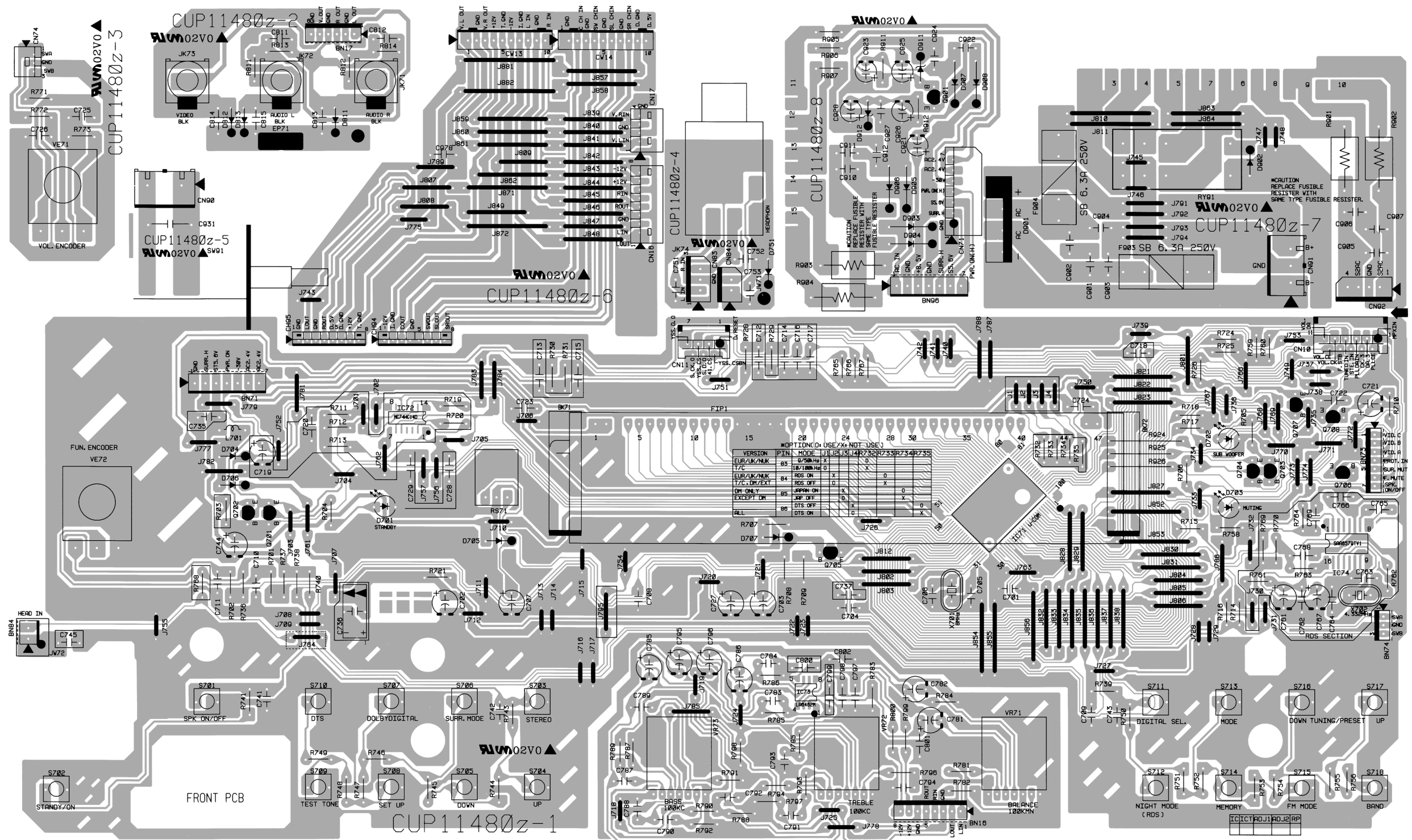
CUP11479Z-3

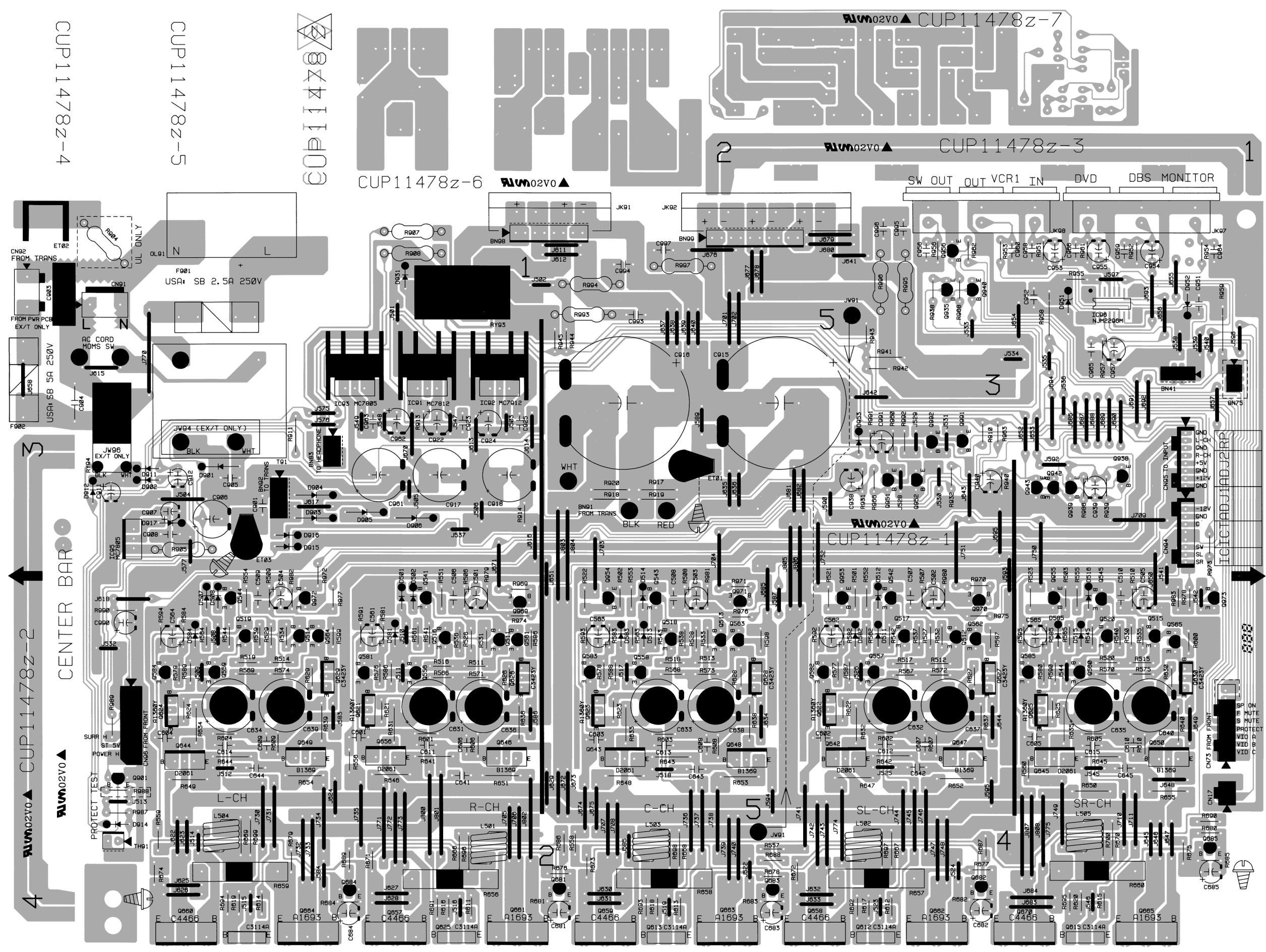
CUP11479

CUP11479Z-2

CUP11479Z-4







CUP11478z-4

CUP11478z-5

CUP11478z-6

CUP11478z-6

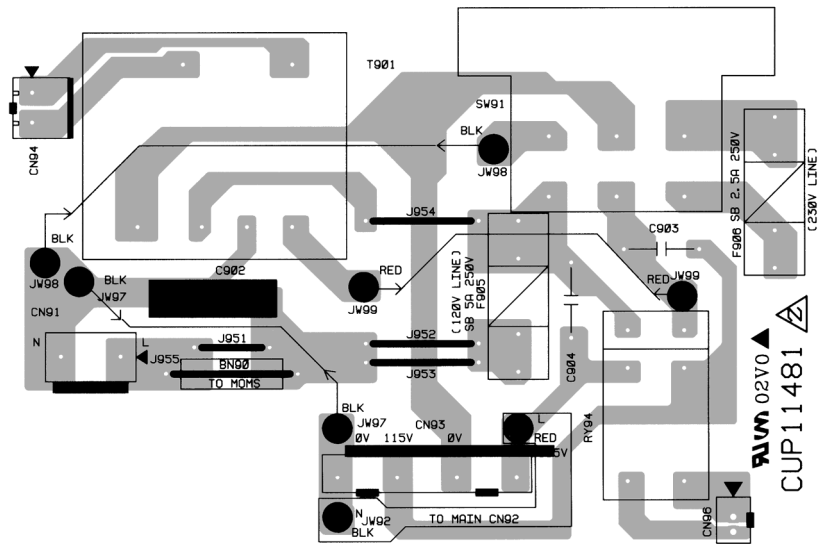
CUP11478z-7

CUP11478z-3

CUP11478z-1

CUP11478z-2

CUP11478z-1



INPUT+TUNER PCB ASSY

REF. NO.	PARTS NO.	DESCRIPTION
	9A09334610	INPUT+TUNER PCB ASSY
	9A09338800	INPUT+TUNER PCB
	9A08215300	PACK, FRONT END
AN1	9A07371900	TERMINAL, ANT
BN13, BN14	9A08036700	WAFER
CF11, CF12	9A06544600	FILTER, CERAMIC E107MSHAT
CF22	9A07006300	FILTER, CERAMIC PBF450JR3
CN10	9A09341400	WAFER, CARD CABLE
CN11	9A09341300	WAFER, CARD CABLE
CT10	9A01405900	C, VARIABLE 20PF
D101	9A08163000	DIODE, VARICAP
D110, D113	9A08878200	DIODE, 1SS133T-77
D150	9A07892400	DIODE, ZENER 9.1V 1/2W
D190	9A08954100	DIODE, ZENER MTZJ5. 1BT
D301, D302	9A08951100	DIODE, ZENER MTZJ6. 8BT
D303	9A08954100	DIODE, ZENER MTZJ5. 1BT
D401	9A08954200	DIODE, 1N4148T
D451	9A08954300	DIODE, ZENER MTZJ4. 7BT
IC11	9A08947500	IC, PLL
IC12	9A08033000	IC, LA1837
IC20	9A09340400	IC, TC9164AF
IC21	9A09340300	IC, TC9163AF
IC22-IC26	9A08889900	IC, LA6462M
IC31	9A08947900	IC, M62446FP
IC32-IC35	9A08889900	IC, LA6462M
IC40	9A08948000	IC, TC74HCU04AFN
IC41	9A08948100	IC, AK4112VF
IC42	9A08903900	IC, AK4527VQ
IC43	9A08033700	IC, YSS912
IC45	9A08032900	IC, IS61C256A15J
JK11, JK12	9A07425400	JACK, IN/OUT
JK13	9A07425500	TERMINAL, IN/OUT
JK15, JK16	9A08948300	MODULE, OPTICAL (RX)
JK17	9A08948400	JACK, BOARD (2P)
L104	9A08948600	COIL, MW ANT
L105	9A07873300	COIL, AM OSC
L403, L405	9A08037600	COIL, 10UH
L406, L407	9A07050600	BEAD, CORE
L408	9A08037600	COIL, 10UH
Q106	9A08954400	TR, KTC31940T
Q112	9A08884100	TR, KRA107M
Q114	9A08878300	TR, KRC107M
Q401	9A07888000	TR, KSC2316YT
R102	△ 9A08948700	R, CARBON 4.7 OHM 1/2W J
T101	9A09229500	IFT, FM
T102	9A08125400	IFT, AM
VR11	9A09340500	R, SEMI FIXED 10K OHM
VR12	9A09340600	R, SEMI FIXED 22K OHM
VR13	9A09340500	R, SEMI FIXED 10K OHM
X101	9A08883700	CRYSTAL
X401	9A08949000	CRYSTAL

FRONT PCB ASSY

REF. NO.	PARTS NO.	DESCRIPTION
	9A09333910	FRONT PCB ASSY
	9A09334100	FRONT PCB
BK71, BK72	9A08888700	BRACKET, FLT
CH94, CH95	9A08889400	CONNECTOR, HOUSING
CN10	9A08889500	WAFER, CARDCABLE
CN11	9A08889600	WAFER, CARDCABLE
CN16	9A08036300	WAFER
CN17	9A07335100	WAFER, MOLEX 53015
CN71	9A07049700	WAFER
CN74	9A07049500	WAFER, MOLEX 53015-0310
CN83	9A05329100	WAFER, MOLEX 5267-03A
CN91	9A06759300	WAFER
CN92	9A05329300	WAFER, MOLEX 5267-04A
CW13, CW14	9A08036600	WAFER, MOLEX 35336-1010
D701-D703	9A09340200	LED, RED
D704-D707	9A08878200	DIODE, 1SS133T-77
D901	△ 9A08889700	DIODE, BRIDGE
D903-D908	△ 9A05194700	DIODE, 1N4003ST
D911	9A08905700	DIODE, ZENER MTZJ30BT
D912	9A07887100	DIODE, ZENER MTZJ6. 2BT
EP71	9A05961500	PLATE, EARTH
F903, F904	9A05328200	HOLDER, FUSE
FIP1	9A08034600	F. I. P, SVA-10MS11
IC71	9A08889800	IC, U-COM
IC73	9A08889900	IC, LA6462M
JK71, JK72	9A08890000	JACK, VCR
JK73	9A08890000	JACK, VCR
JK74	9A07491600	JACK
L701	9A07886600	COIL, AXAIL 10UH
Q701	9A08905800	TR, KRA104MT
Q702	9A08905900	TR, KRC114MT
Q703, Q704	9A08878300	TR, KRC107M
Q705	9A03745100	TR, KSA1175-YTA
Q706-Q708	9A08878300	TR, KRC107M
Q901	9A08906000	TR, KTA1271YT
R901-R904	△ 9A05897200	R, FUSE 0.47 OHM 1W
RS71	9A08563600	SENSOR, REMOCON
S701-S718	9A07878500	SW, TACT SKHV10910G
VE71	9A09340000	VR, ENCODER
VE72	9A09339900	VR, ENCODER
VR71	9A08890400	R, VARIABLE (BALANCE)
VR72, VR73	9A08890500	R, VARIABLE (TONE)
X701	9A08879000	CRYSTAL

MAIN PCB ASSY

REF. NO.	PARTS NO.	DESCRIPTION
	9A09334210	MAIN PCB ASSY
	9A09334400	MAIN PCB
	9A08952300	BRACKET, PCB
	9A08745400	BRACKET, PCB (H/T)
	9A08952200	HEAT SINK
C906	△ 9A08944600	C, ELECT 1000UF 25V
C915, C916	△ 9A09339700	C, ELECT 6800UF 50V
C917	△ 9A08944800	C, ELECT 3300UF 25V
C918	△ 9A07897200	C, ELECT 2200UF 25V
C961	△ 9A08944900	C, ELECT 3300UF 16V
CN17	9A06250600	WAFER, 02GA19ZM
CN73	9A05356500	WAFER, MOLEX 53014-0710
CN92	9A06785000	WAFER, MOLEX 35328-02
CN94, CN95	9A08891200	WAFER, 08GA98ZM
CN96	9A05330000	WAFER, MOLEX 5267-07A
D501, D502	9A08878200	DIODE, 1SS133T-77
D507, D508	9A08878200	DIODE, 1SS133T-77
D511-D516	9A08878200	DIODE, 1SS133T-77
D581-D585	9A08878200	DIODE, 1SS133T-77
D901	△ 9A05194700	DIODE, 1N4003ST
D902	9A08878200	DIODE, 1SS133T-77
D903-D906	△ 9A05194700	DIODE, 1N4003ST
D911, D912	9A08878200	DIODE, 1SS133T-77
D914-D917	9A08878200	DIODE, 1SS133T-77
D931	9A08878200	DIODE, 1SS133T-77
D951, D952	9A08951100	DIODE, ZENER MTZJ6. 8BT
D953	9A08878200	DIODE, 1SS133T-77
ET01	9A08945000	PLATE, EARTH
ET02	9A08945100	BRACKET, PCB
ET03	9A08945000	PLATE, EARTH
F901	9A05328200	HOLDER, FUSE
IC91	△ 9A07898500	IC, KA7812-ABT
IC91	9A08952900	HEAT SINK, TR
IC93	△ 9A08218600	IC, 7805
IC93	9A08953200	HEAT SINK
IC95	△ 9A08218600	IC, 7805
IC96	9A08945500	IC, NJM2296M
JK91	9A08945600	TERMINAL, SPEAKER (4P)
JK92	9A08945700	TERMINAL, SPEAKER
JK97	9A07427800	JACK, VCR
JK98	9A08945800	JACK, BOARD
L501-L505	9A08946000	COIL, SPEAKER
OL91	△ 9A08946100	OUTLET, 2P
Q511-Q520	9A08951200	TR, KTA1268GRT
Q541-Q545	9A08951200	TR, KTA1268GRT
Q556-Q565	9A08951300	TR, KTC3200GRT
Q581-Q585	9A08951200	TR, KTA1268GRT
Q611-Q615	9A09340800	TR, KTC3114A
Q621-Q625	9A09340700	TR, KTA1360Y
Q626-Q630	9A09340900	TR, KTC3423Y
Q642-Q645	△ 9A08946400	TR, KTD2061Y
Q646-Q650	△ 9A08946500	TR, 2SB1369Y
Q656	△ 9A08946400	TR, KTD2061Y
Q657-Q660	△ 9A09341100	TR, 2SC4466
Q661-Q665	△ 9A09341000	TR, 2SA1693

MAIN PCB ASSY

REF. NO.	PARTS NO.	DESCRIPTION
Q670	△ 9A09341100	TR, 2SC4466
Q681-Q685	9A03745000	TR, KSC2785-YTA
Q901, Q935	9A08878300	TR, KRC107M
Q938-Q940	9A08884100	TR, KRA107M
Q942, Q943	9A03745000	TR, KSC2785-YTA
Q951	9A08878300	TR, KRC107M
Q952	9A08884100	TR, KRA107M
Q953-Q956	9A07888500	TR, KTD1302T
Q969-Q973	9A07888500	TR, KTD1302T
Q991	9A08878300	TR, KRC107M
Q992	9A08884100	TR, KRA107M
R656-R660	△ 9A07331100	R, CEMENT 0.22X2 5W
R904	△ 9A06761000	R, CARBON 3.3M K 1/2W
R905	△ 9A05338000	R, METAL 10 OHM 1W J
R907, R908	△ 9A07309700	R, METAL 470 OHM 1W J
R958, R959	△ 9A08946800	R, CARBON 120 OHM 1/2W J
R993-R997	△ 9A05338000	R, METAL 10 OHM 1W J
RY93	△ 9A08946600	RELAY
TH91	9A08039800	THERMAL SENSOR, POSISTOR

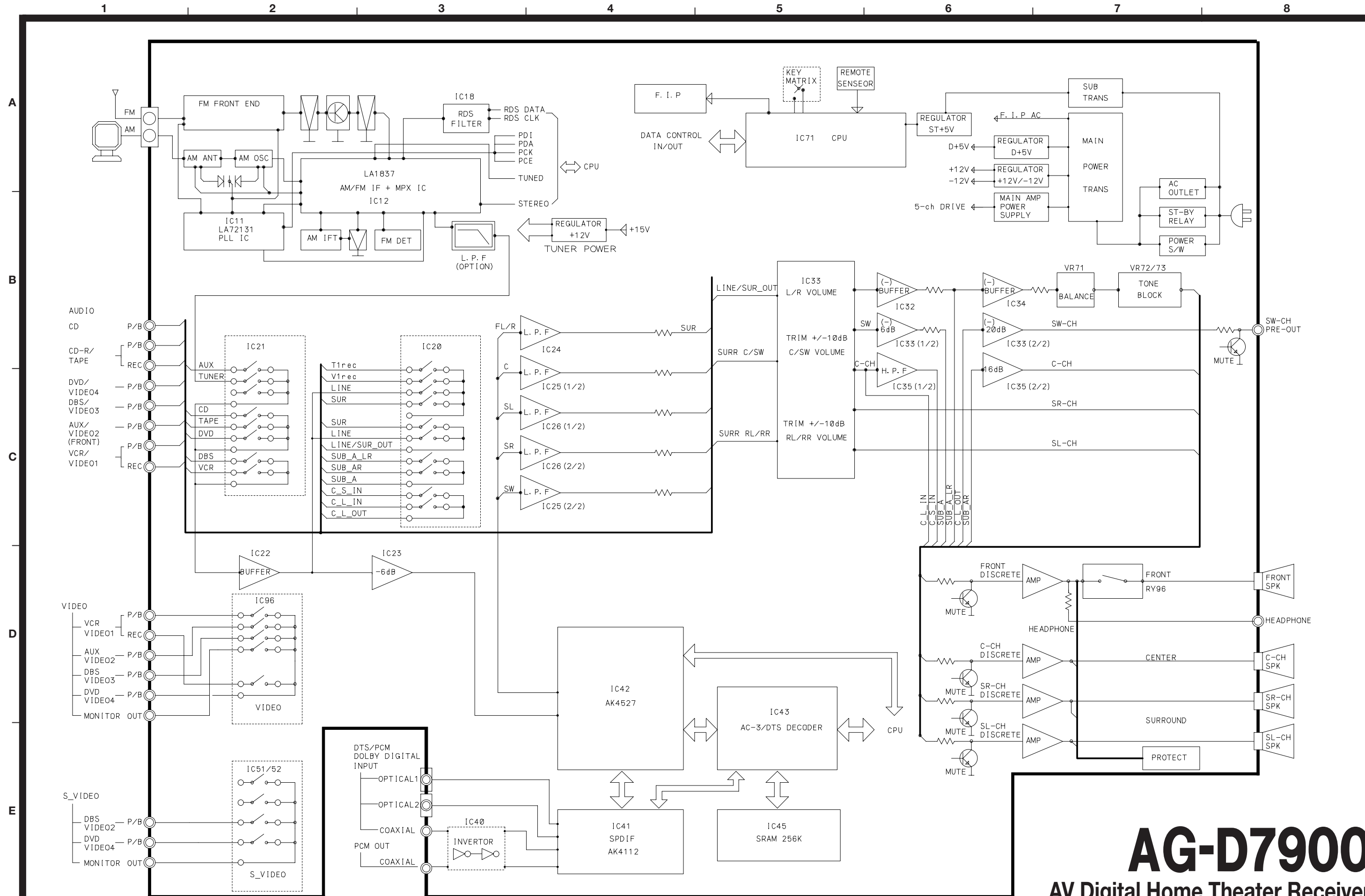
POWER SUPPLY PCB ASSY

REF. NO.	PARTS NO.	DESCRIPTION
	9A09334910	POWER SUPPLY PCB ASSY
	9A09335100	POWER SUPPLY PCB
C902	△ 9A08032200	C, LINE ACROSS 0.1UF 250V
CN91	9A06674400	WAFER
CN93	9A06769100	WAFER
CN94	9A09341200	WAFER
CN96	9A06250600	WAFER, 02GA19ZM
F905	9A05328200	HOLDER, FUSE
F906	9A05328200	HOLDER, FUSE
RY94	△ 9A09058500	RELAY
SW91	△ 9A09340100	SW, SLIDE
T901	△ 9A09337800	TRANS, SUB

INCLUDED ACCESSORIES

REF. NO.	PARTS NO.	DESCRIPTION	REMARKS
	9A08901100	OWNER' S MNL, E/F	CQX1A707Z
	9A08763300	REMOTE CONTROL UNIT, UR-417	CARTAGD8900
	9A08886000	ANT, FM T	CSA1A010Z
	9A08886100	AM LOOP ANTENNA ASSY	CSA3A011Z

TEAC BLOCK DIAGRAM AG-D7900



AG-D7900

AV Digital Home Theater Receiver

TEAC SCHEMATIC DIAGRAM AG-D7900

1

2

3

4

5

6

7

8

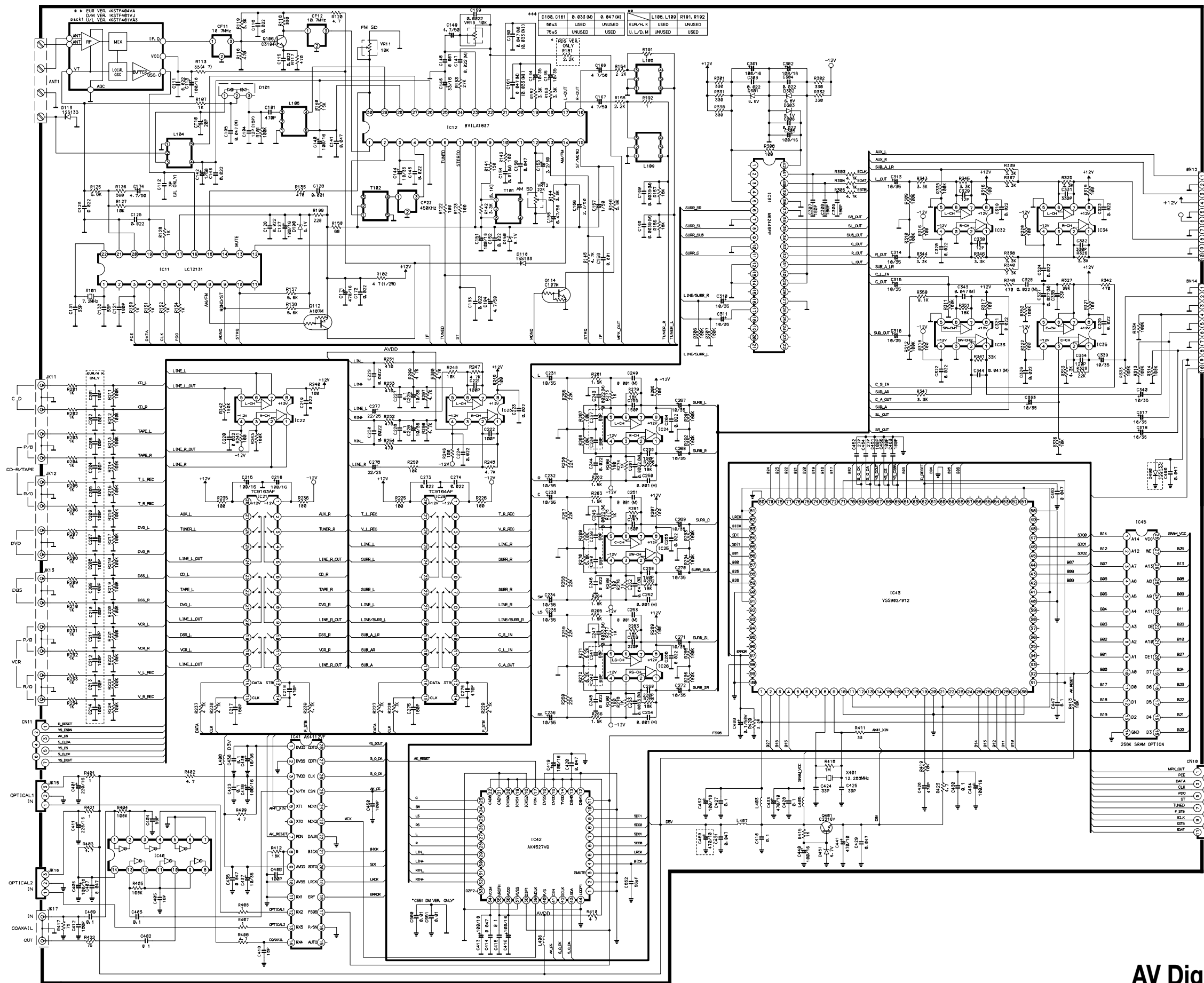
A

B

C

D

E



NOTES:

1. Resistor values are in ohms (k=kilo-ohms, M=megohms).
2. Capacitor values are in microfarads (p=picofarads).
3. Δ Parts marked with this sign are safety critical components. They must always be replaced with identical components—refer to the appropriate parts list and ensure exact replacement.

AG-D7900

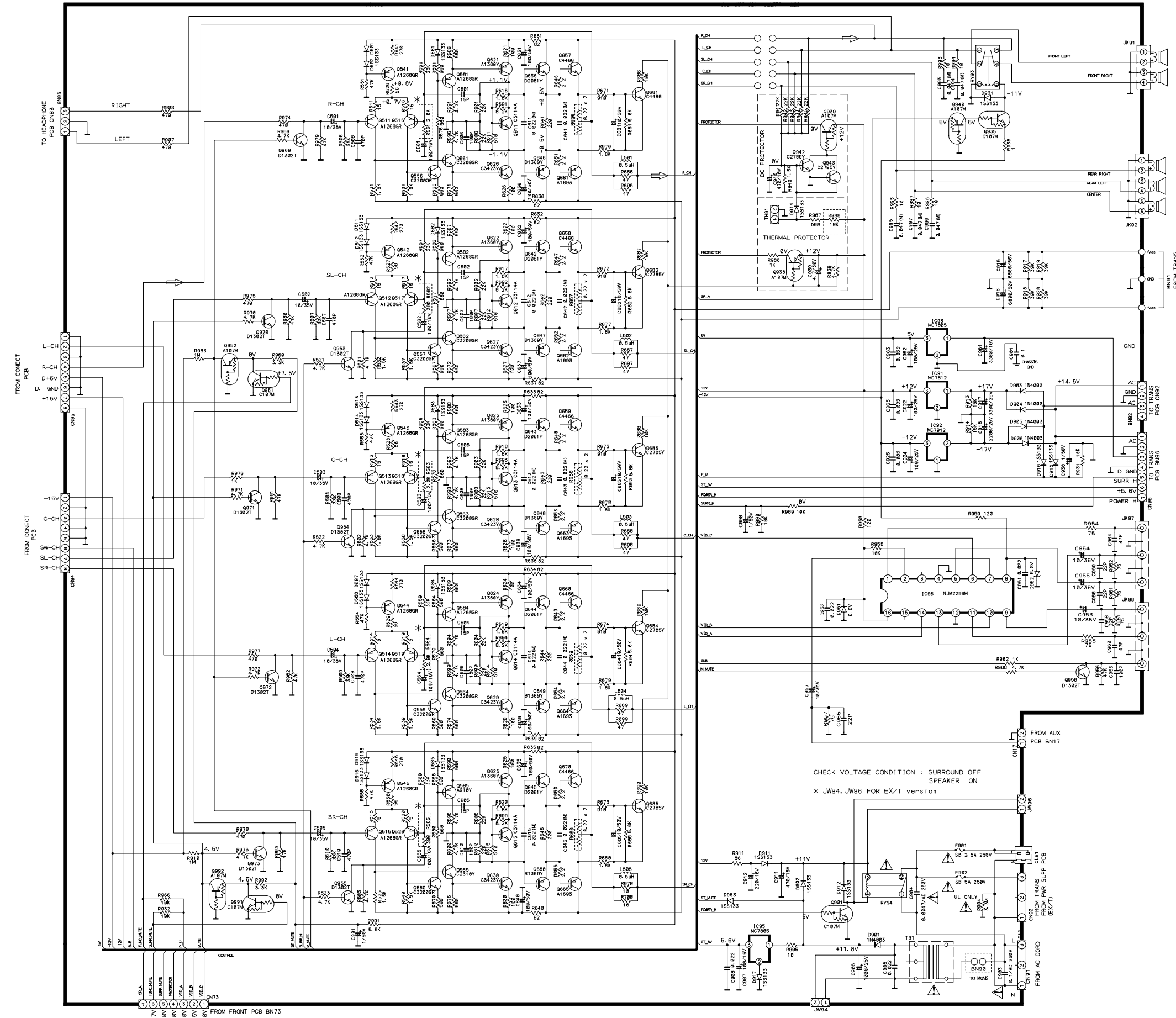
AV Digital Home Theater Receiver

1st Issue; July 2001

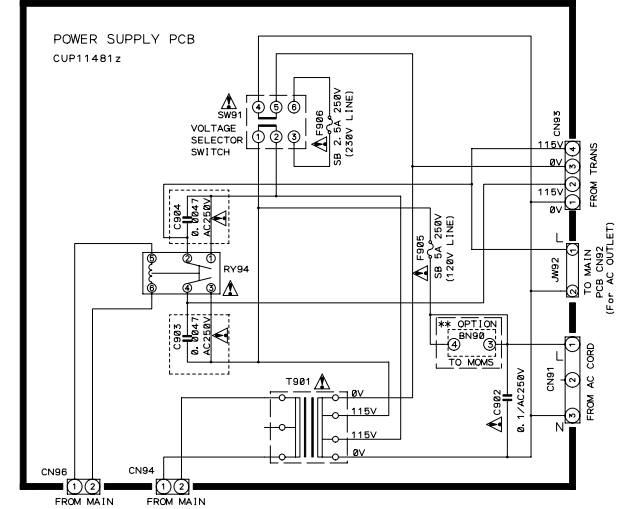
TEAC SCHEMATIC DIAGRAM AG-D7900

1 2 3 4 5 6 7 8

A
B
C
D
E



- NOTES:**
1. Resistor values are in ohms (k=kilo-ohms, M=megohms).
 2. Capacitor values are in microfarads (p=picofarads).
 3. Δ Parts marked with this sign are safety critical components. They must always be replaced with identical components—refer to the appropriate parts list and ensure exact replacement.



CHECK VOLTAGE CONDITION : SURROUND OFF
SPEAKER ON
* JW94, JW96 FOR EX/T version

AG-D7900

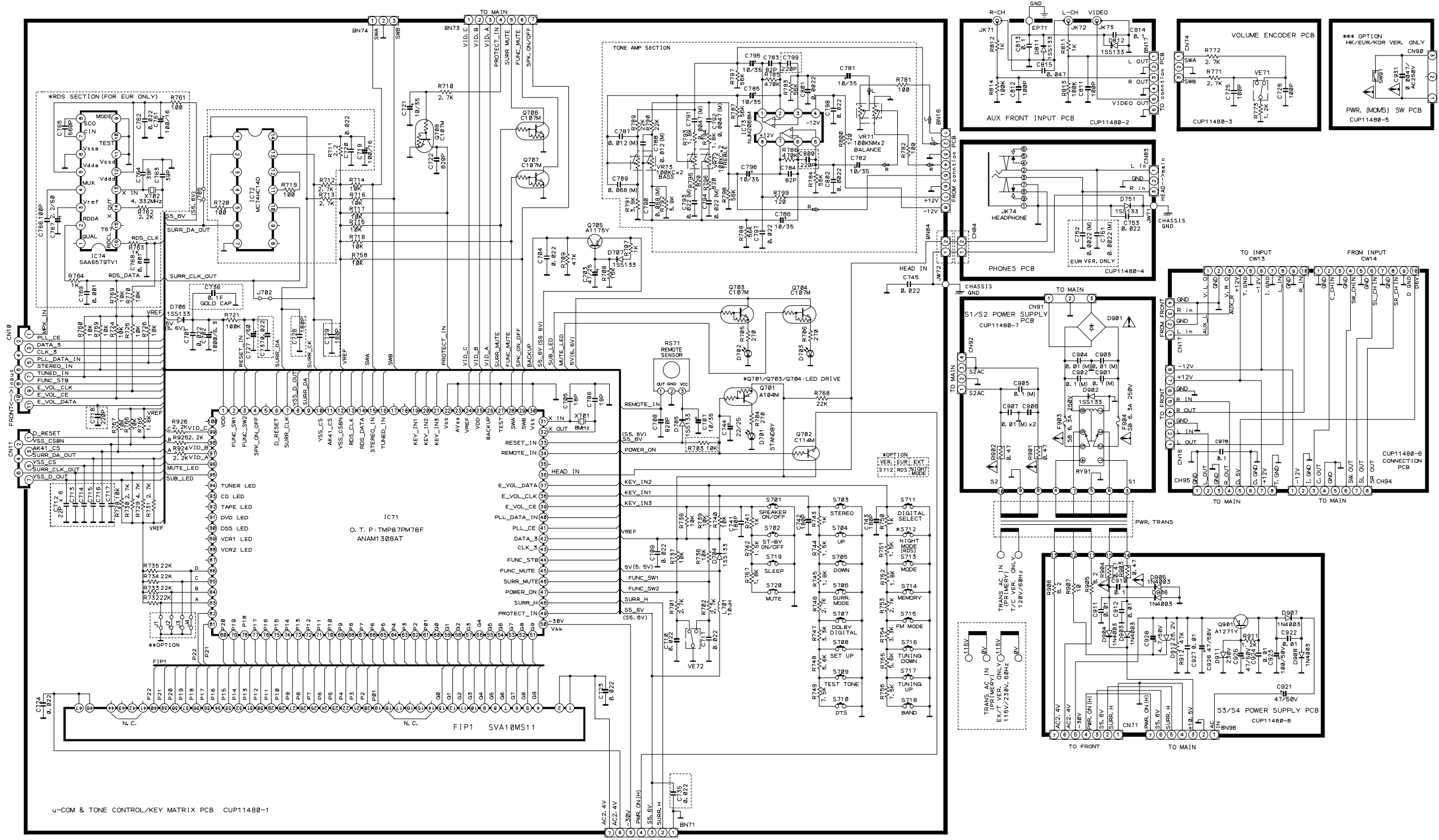
AV Digital Home Theater Receiver

1st Issue; July 2001

TEAC SCHEMATIC DIAGRAM AG-D7900

1 2 3 4 5 6 7 8

A
B
C
D
E

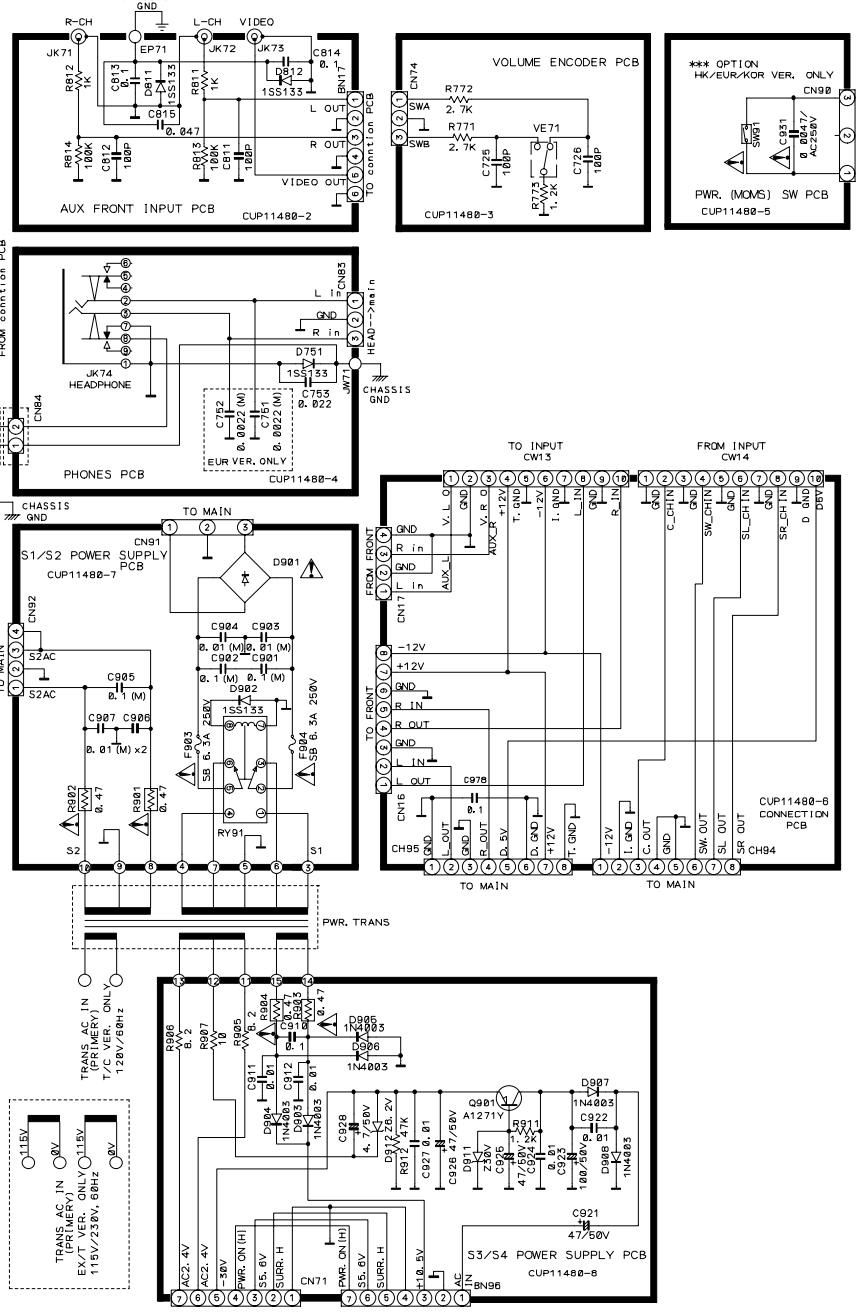


****OPTION**

A	H	AM/FM 9/50kHzSTEP	EUR/UK/NJK
(J1)	L	AM/FM 10/100kHzSTEP	T/C
B	H	RDS ON (R735 USE)	EUR/UK/NJK
(J2)	L	RDS OFF (J2 USE)	T/C DM EXT
C	H	JAPAN BAND ON	DM ONLY
(J3)	L	JAPAN BAND OFF	EXCEPT DM
D	H	DTS OFF (R735 USE)	
(J4)	L	DTS ON (J4 USE)	ALL

INSTRUCTIONS FOR SERVICE PERSONNEL
BEFORE RETURNING APPLIANCE TO THE CUSTOMER, MAKE LEAKAGE-CURRENT OR RESISTANCE MEASUREMENTS TO DETERMINE THAT EXPOSED PARTS ARE ACCEPTABLY INSULATED FROM THE SUPPLY CIRCUIT.

NOTES:
 1. Resistor values are in ohms (k=kilo-ohms, M=megohms).
 2. Capacitor values are in microfarads (p=picofarads).
 3. Δ Parts marked with this sign are safety critical components. They must always be replaced with identical components-refer to the appropriate parts list and ensure exact replacement.



AG-D7900

AV Digital Home Theater Receiver

1st Issue; July 2001